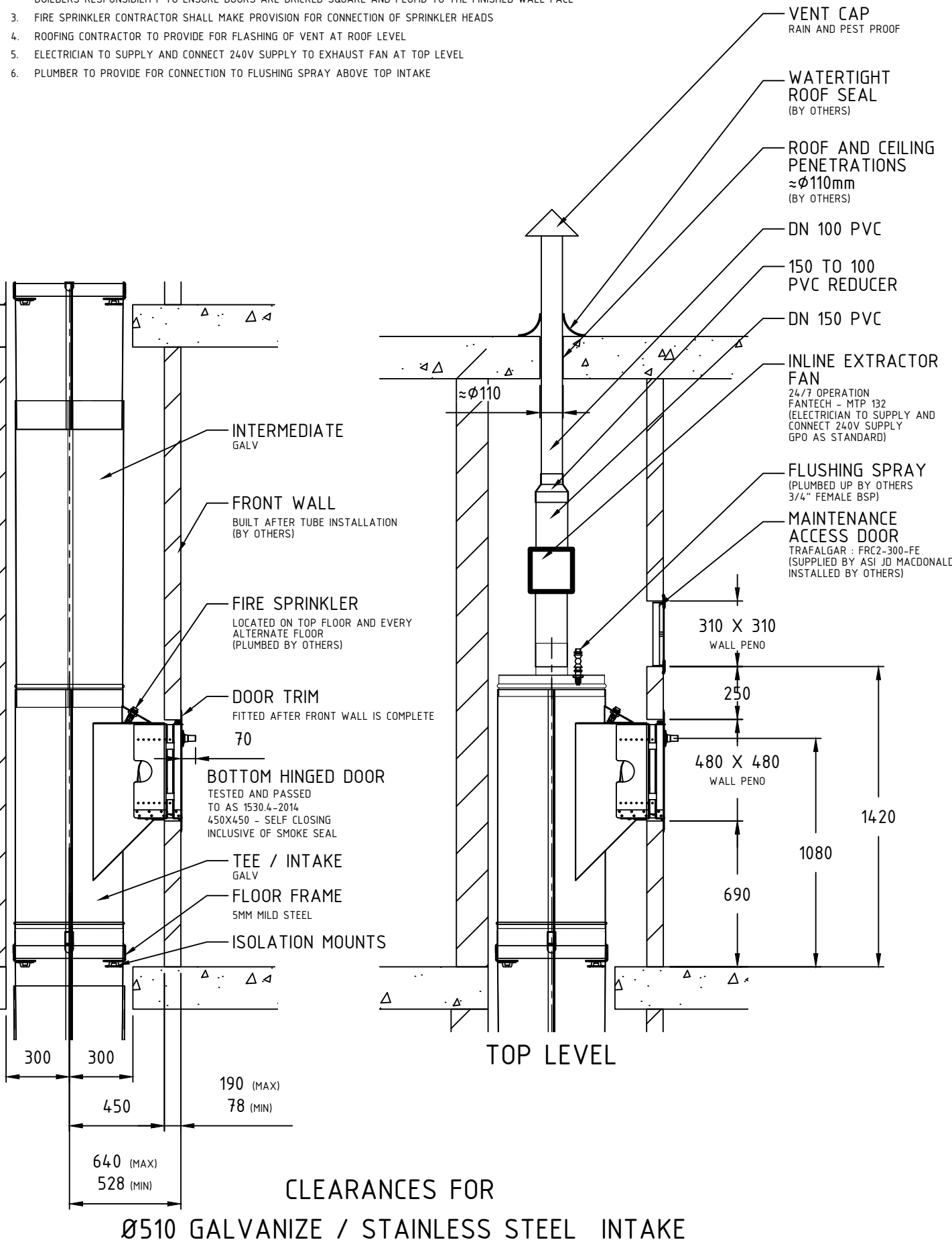


**NOTES**

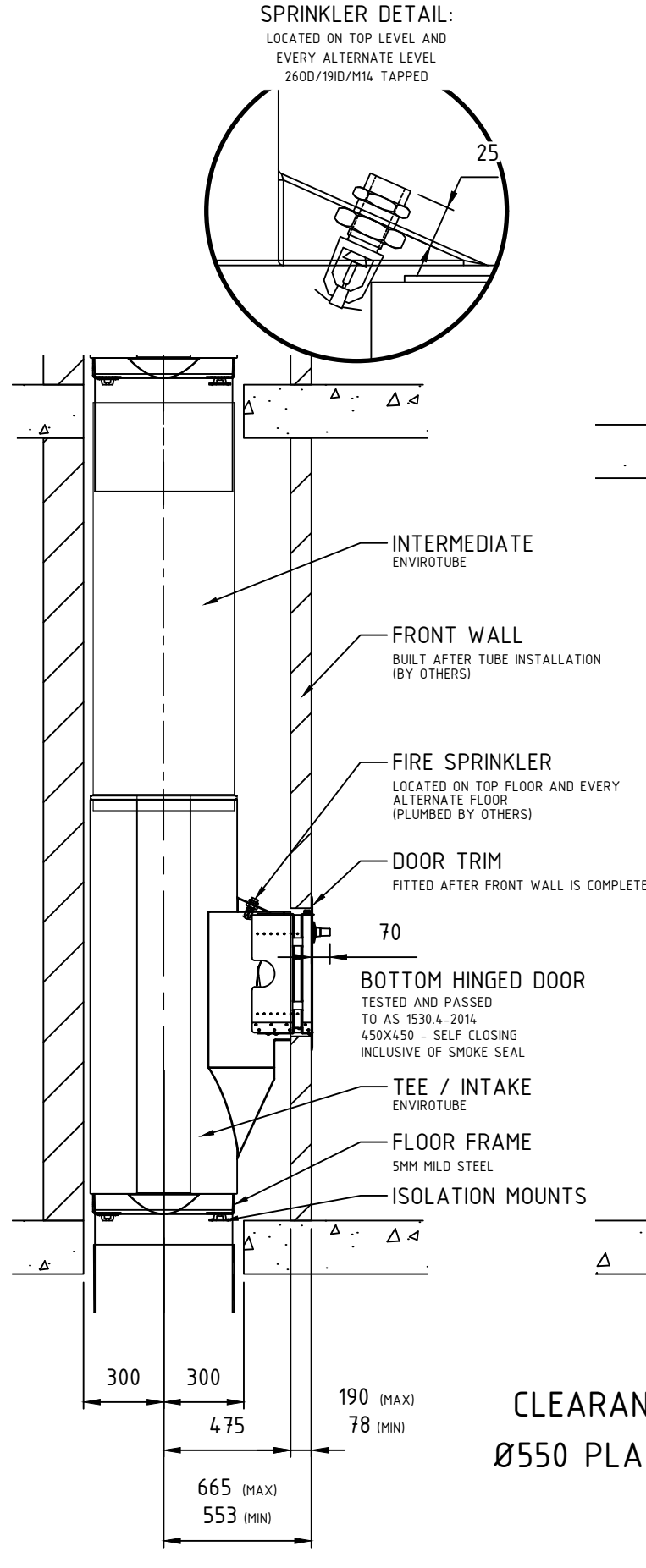
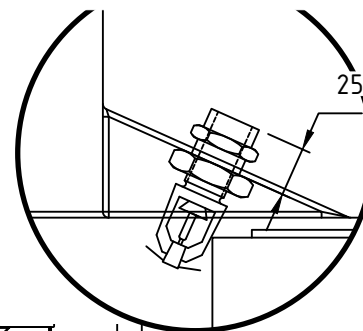
- BUILDER SHALL COMPLETE WALLS AROUND CHUTE INTAKES ONLY AFTER CHUTE HAS BEEN COMPLETELY INSTALLED
- CHUTE INTAKE DOORS SHALL BE SET SQUARE AND PLUMB BY ASI JD MACDONALD ON INSTALLATION. IT IS THEN THE BUILDERS RESPONSIBILITY TO ENSURE DOORS ARE BRICKED SQUARE AND PLUMB TO THE FINISHED WALL FACE
- FIRE SPRINKLER CONTRACTOR SHALL MAKE PROVISION FOR CONNECTION OF SPRINKLER HEADS
- ROOFING CONTRACTOR TO PROVIDE FOR FLASHING OF VENT AT ROOF LEVEL
- ELECTRICIAN TO SUPPLY AND CONNECT 240V SUPPLY TO EXHAUST FAN AT TOP LEVEL
- PLUMBER TO PROVIDE FOR CONNECTION TO FLUSHING SPRAY ABOVE TOP INTAKE



**CLEARANCES FOR Ø510 GALVANIZE / STAINLESS STEEL INTAKE**

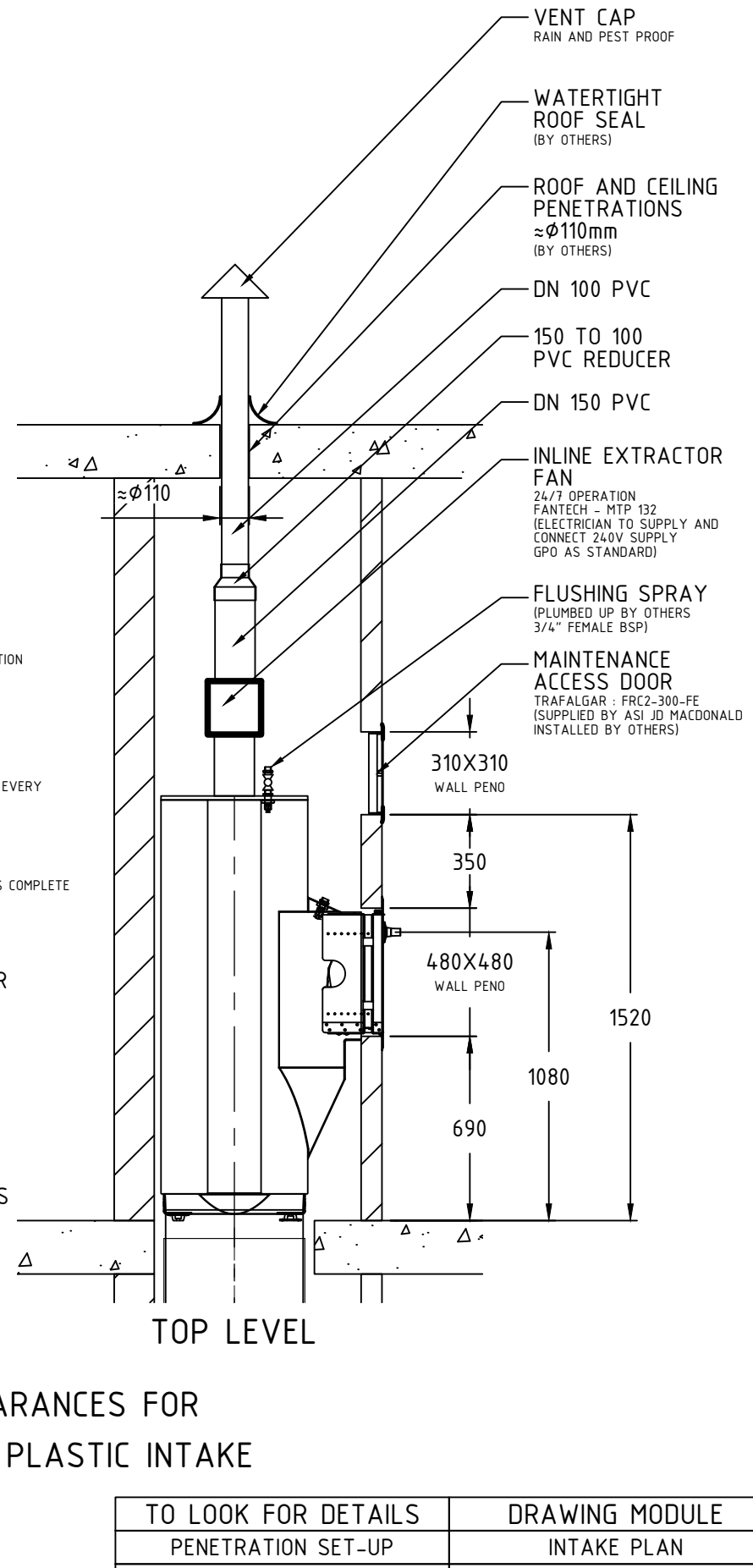
**TYPICAL FIRE SPRINKLER DETAIL:**

LOCATED ON TOP LEVEL AND EVERY ALTERNATE LEVEL  
260D/191D/M14 TAPPED



**CLEARANCES FOR Ø550 PLASTIC INTAKE**

**INTAKE ELEVATION MODULE**



TO LOOK FOR DETAILS	DRAWING MODULE
PENETRATION SET-UP	INTAKE PLAN
DISCHARGE / COLLECTION	DISCHARGE

ISSUE	DATE	DESIGN NOTES	DRAWN	CHECKED
B	08/01/2020	NEW INTAKES FOR 450X450S DOOR	RONAK	STEVE
A	01/11/2019	INITIAL ISSUE	RONAK	STEVE
REVISION TABLE				

	REMOVE ALL BURRS, SHARP EDGES AND PROCESSING RESIDUE. DO NOT SCALE - IF IN DOUBT, ASK. ALL DIMENSIONS IN MILLIMETRES	TOLERANCES UNLESS OTHERWISE SPECIFIED: UP TO 10 ±0.25 OVER 10 UP TO 100 ±0.5 OVER 100 ±1 ALL ANGLES ±1°	DESIGNED: RONAK DRAWN: RONAK CHECKED: DATE: --/--/---- AREA: MASS:	TITLE: CH-D-510-550-INTAKE-SMR600-BH INTAKE ELEVATION MODULE Ø510 - Ø550 INTAKE ELEVATION 450 GARBAGE DOOR BH	SCALE: DRG. NO: NTS 550-INTAKE-SMR600-BH-E	SHEET: 01 OF 01	<b>A3</b>
	IT IS AN INFRINGEMENT OF THE COMPANY'S COPYRIGHT IN THIS DRAWING AND DESIGN TO COPY OR COMMUNICATE ITS CONTENTS TO ANY THIRD PARTY WITHOUT WRITTEN CONSENT OF J.D. MACDONALD	MATERIAL: N/A FINISH: N/A	13-17 NAXOS WAY, KEYSBOROUGH, VIC 3173	AREA: MASS:	SCALE: DRG. NO: NTS 550-INTAKE-SMR600-BH-E	SHEET: 01 OF 01	<b>A3</b>

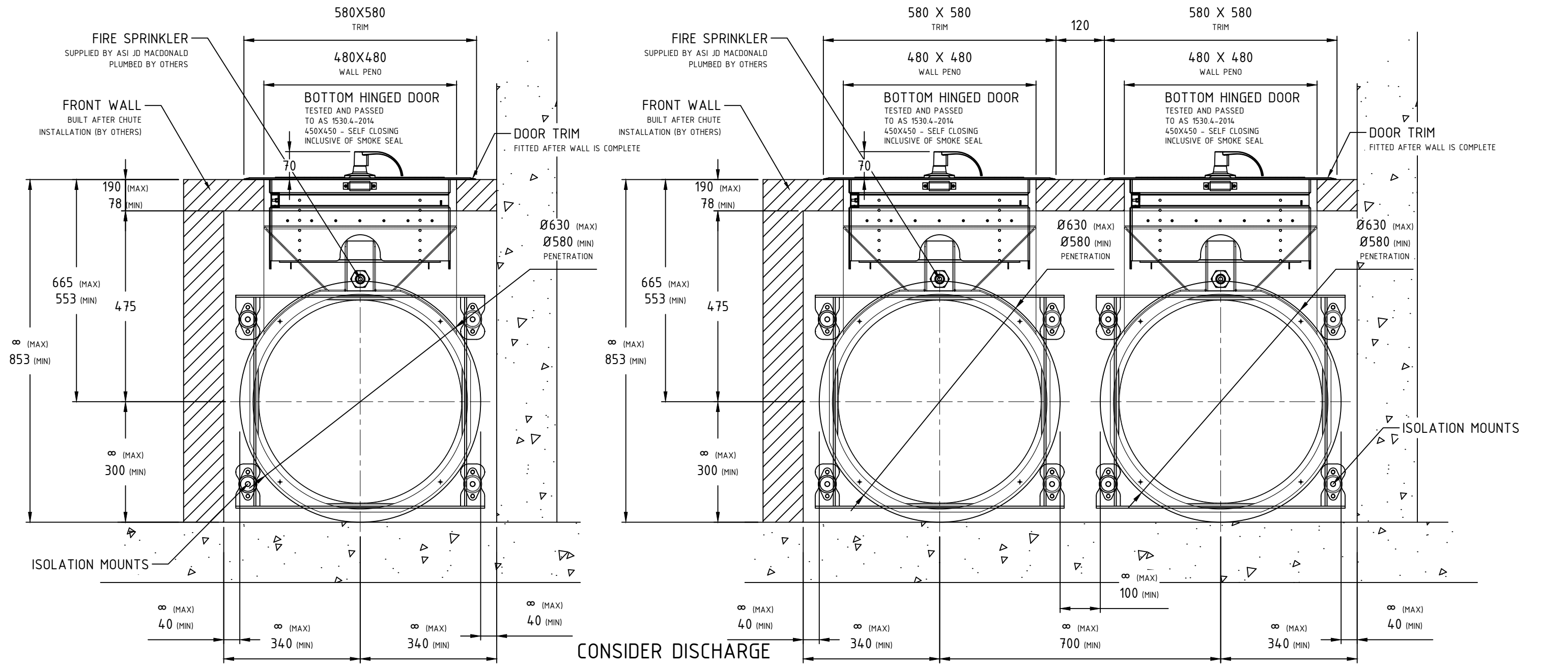
# INTAKE PLAN MODULE

## CHUTE DETAILS

DIAMETER: 550mm NOMINAL  
 MATERIAL: ENVIRO-TUBE ALL LEVELS, GALVABOND OFFSETS AND COLLECTION ROOM  
 INTAKE: NUMBER OF DOORS (##)  
 450mm X 450mm BOTTOM HINGED SELF CLOSING STAINLESS STEEL DOORS.  
 COMES WITH TRIMS LABELED ACCORDING TO WASTE STREAM AND IS FITTED WITH CLOSE-OFF BAFFLES.  
 CHUTE SUPPORTS: 5MM THICK MS DESIGNED FLOOR FRAMES AT EACH LEVEL FITTED WITH VIBRATION MOUNTS  
 DISCHARGE: 'A' TYPE DISCHARGE  
 FIRE SPRINKLER: FIRE SPRINKLERS SUPPLIED INSIDE CHUTE ON TOP FLOOR AND EVERY ALTERNATE FLOOR  
 EXHAUST FAN: INLINE EXHAUST FAN FITTED TO VENT PIPE IMMEDIATELY ABOVE TEE ON TOP LEVEL  
 FLUSHING SPRAY: FLUSHING SPRAY TAP AND NOZZLE FITTED TO TOP CAP ON TOP FLOOR ACCESSIBLE VIA 300mm X 300mm SIDE HINGE DOOR.

## NOTES

- BUILDER SHALL COMPLETE WALLS AROUND CHUTE INTAKES ONLY AFTER CHUTE HAS BEEN COMPLETELY INSTALLED
- CHUTE INTAKE DOORS SHALL BE SET SQUARE AND PLUMB BY ASI JD MACDONALD ON INSTALLATION. IT IS THEN THE BUILDERS RESPONSIBILITY TO ENSURE DOORS ARE BRICKED SQUARE AND PLUMB TO THE FINISHED WALL FACE
- FIRE SPRINKLER CONTRACTOR SHALL MAKE PROVISION FOR CONNECTION OF SPRINKLER HEADS
- ROOFING CONTRACTOR TO PROVIDE FOR FLASHING OF VENT AT ROOF LEVEL
- ELECTRICIAN TO SUPPLY AND CONNECT 240V SUPPLY TO EXHAUST FAN AT TOP LEVEL
- PLUMBER TO PROVIDE FOR CONNECTION TO FLUSHING SPRAY ABOVE TOP INTAKE



MINIMUM CLEARANCES FOR INTAKE SINGLE CHUTE SET-UP

CONSIDER DISCHARGE SET-UP MEASUREMENTS FOR STRAIGHT DROPS.

MINIMUM CLEARANCES FOR INTAKE DUAL CHUTE SET-UP

TO LOOK FOR DETAILS	DRAWING MODULE
TOP LEVEL / SERVICES	INTAKE ELEVATION
DISCHARGE / COLLECTION	DISCHARGE

<p>REMOVE ALL BURRS, SHARP EDGES AND PROCESSING RESIDUE. DO NOT SCALE - IF IN DOUBT, ASK. ALL DIMENSIONS IN MILLIMETRES</p> <p>IT IS AN INFRINGEMENT OF THE COMPANY'S COPYRIGHT IN THIS DRAWING AND DESIGN TO COPY OR COMMUNICATE ITS CONTENTS TO ANY THIRD PARTY WITHOUT WRITTEN CONSENT OF J.D. MACDONALD</p> <p>13-17 NAXOS WAY, KEYSBOROUGH, VIC 3173</p>	<p>DRAFTING STANDARD AS1100 - 1992</p> <p>TOLERANCES UNLESS OTHERWISE SPECIFIED:                  UP TO 10 ±0.25                  OVER 10 UP TO 100 ±0.5                  OVER 100 ±1                  ALL ANGLES ±1°</p> <p>MATERIAL: N/A                  FINISH: N/A</p>	DESIGNED: RONAK DRAWN: RONAK CHECKED: DATE: --/--/---- AREA: MASS:	TITLE: CH-D-550-INTAKE-SMR600-BH INTAKE PLAN MODULE Ø550 INTAKE PLAN 450 GARBAGE DOOR BH	SCALE: NTS DRG. NO: 550-INTAKE-SMR600-BH-P SHEET: 01 OF 01	A3									
		REVISION TABLE <table border="1"> <tr> <th>ISSUE</th> <th>DATE</th> <th>DESIGN NOTES</th> <th>DRAWN</th> <th>CHECKED</th> </tr> <tr> <td>A</td> <td>01/11/2019</td> <td>INITIAL ISSUE</td> <td>RONAK</td> <td>STEVE</td> </tr> </table>	ISSUE	DATE	DESIGN NOTES	DRAWN	CHECKED	A	01/11/2019	INITIAL ISSUE	RONAK	STEVE		
ISSUE	DATE	DESIGN NOTES	DRAWN	CHECKED										
A	01/11/2019	INITIAL ISSUE	RONAK	STEVE										

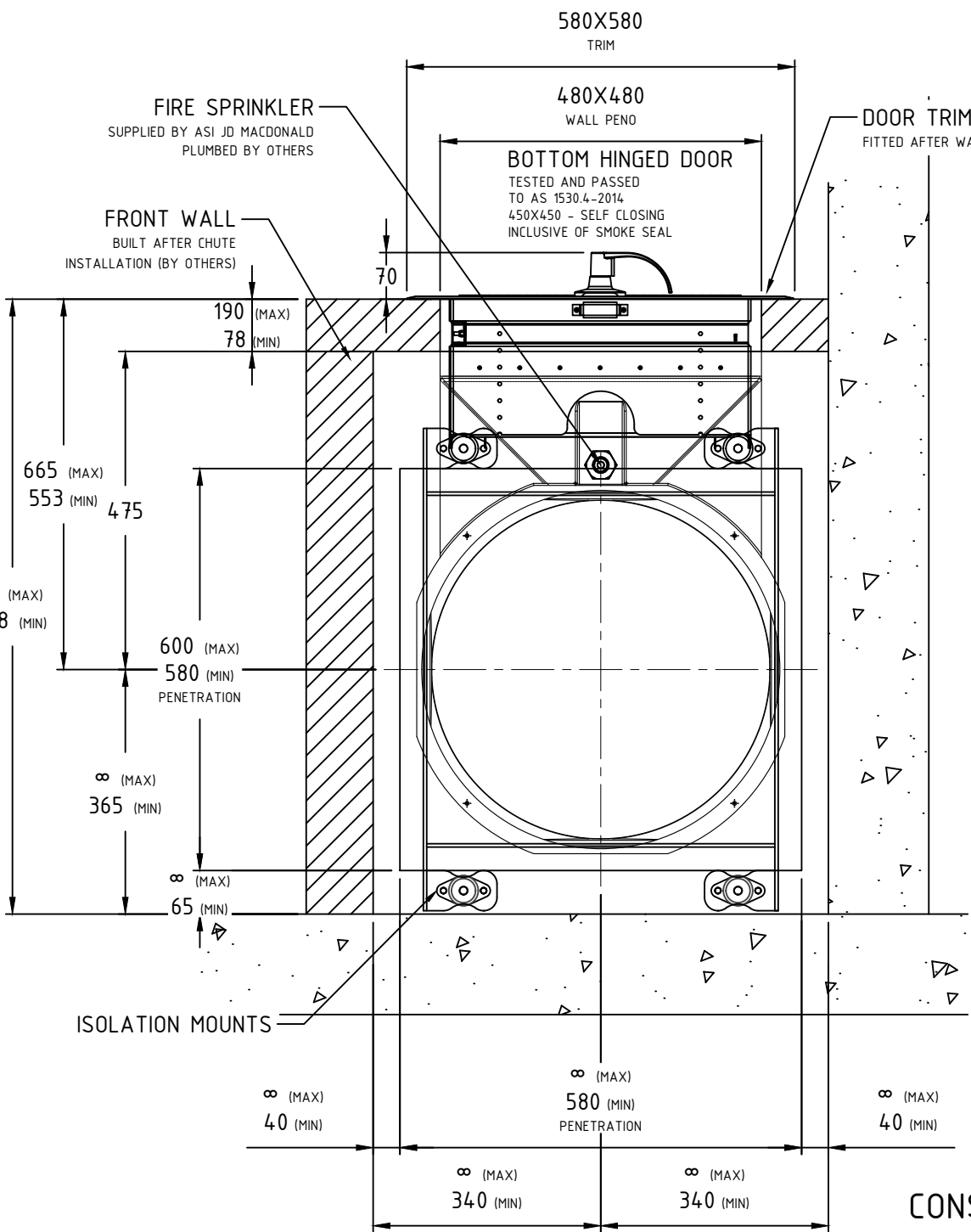
**CHUTE DETAILS**

DIAMETER: 550mm NOMINAL  
 MATERIAL: ENVIROTUBE ALL LEVELS, GALVABOND OFFSETS AND COLLECTION ROOM  
 INTAKE: NUMBER OF DOORS (##)  
 450mm X 450mm BOTTOM HINGED SELF CLOSING STAINLESS STEEL DOORS.  
 COMES WITH TRIMS LABELED ACCORDING TO WASTE STREAM AND IS FITTED WITH CLOSE-OFF BAFFLES.  
 CHUTE SUPPORTS: 5MM THICK MS DESIGNED FLOOR FRAMES AT EACH LEVEL FITTED WITH VIBRATION MOUNTS  
 DISCHARGE: 'A' TYPE DISCHARGE  
 FIRE SPRINKLER: FIRE SPRINKLERS SUPPLIED INSIDE CHUTE ON TOP FLOOR AND EVERY ALTERNATE FLOOR  
 EXHAUST FAN: INLINE EXHAUST FAN FITTED TO VENT PIPE IMMEDIATELY ABOVE TEE ON TOP LEVEL  
 FLUSHING SPRAY: FLUSHING SPRAY TAP AND NOZZLE FITTED TO TOP CAP ON TOP FLOOR ACCESSIBLE VIA 300mm X 300mm SIDE HINGE DOOR.

**NOTES**

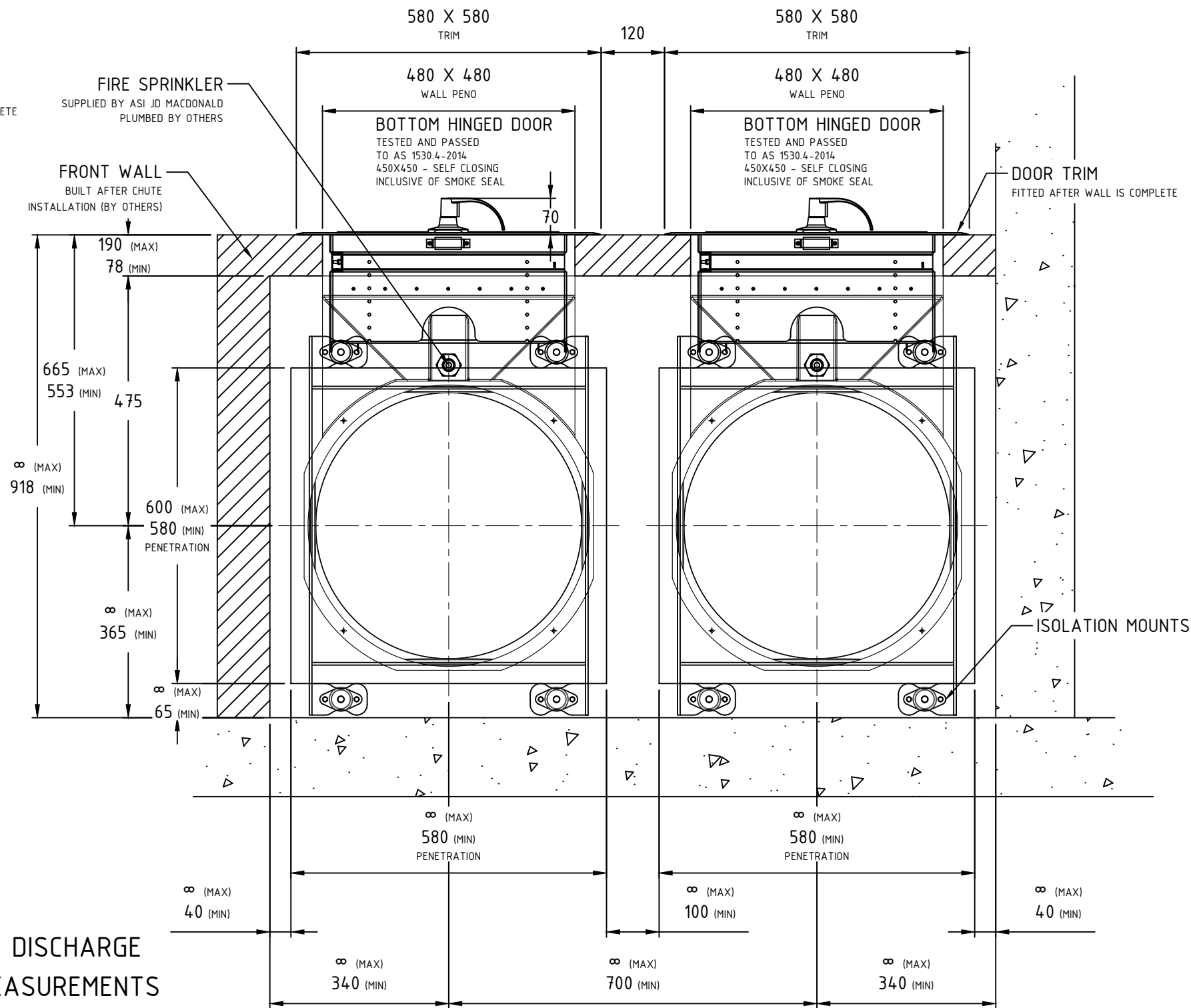
- BUILDER SHALL COMPLETE WALLS AROUND CHUTE INTAKES ONLY AFTER CHUTE HAS BEEN COMPLETELY INSTALLED
- CHUTE INTAKE DOORS SHALL BE SET SQUARE AND PLUMB BY ASI JD MACDONALD ON INSTALLATION. IT IS THEN THE BUILDERS RESPONSIBILITY TO ENSURE DOORS ARE BRICKED SQUARE AND PLUMB TO THE FINISHED WALL FACE
- FIRE SPRINKLER CONTRACTOR SHALL MAKE PROVISION FOR CONNECTION OF SPRINKLER HEADS
- ROOFING CONTRACTOR TO PROVIDE FOR FLASHING OF VENT AT ROOF LEVEL
- ELECTRICIAN TO SUPPLY AND CONNECT 240V SUPPLY TO EXHAUST FAN AT TOP LEVEL
- PLUMBER TO PROVIDE FOR CONNECTION TO FLUSHING SPRAY ABOVE TOP INTAKE

**INTAKE PLAN MODULE**



MINIMUM CLEARANCES FOR INTAKE SINGLE CHUTE SET-UP

CONSIDER DISCHARGE SET-UP MEASUREMENTS FOR STRAIGHT DROPS.



MINIMUM CLEARANCES FOR INTAKE DUAL CHUTE SET-UP

ISSUE	DATE	DESIGN NOTES	DESIGNED	CHECKED
A	01/11/2019	INITIAL ISSUE	RONAK	STEVE
REVISION TABLE			DRAWN	CHECKED

**ASI JD MACDONALD**  
 DRAFTING STANDARD AS1100 - 1992  
 13-17 NAXOS WAY, KEYSBOROUGH, VIC 3173

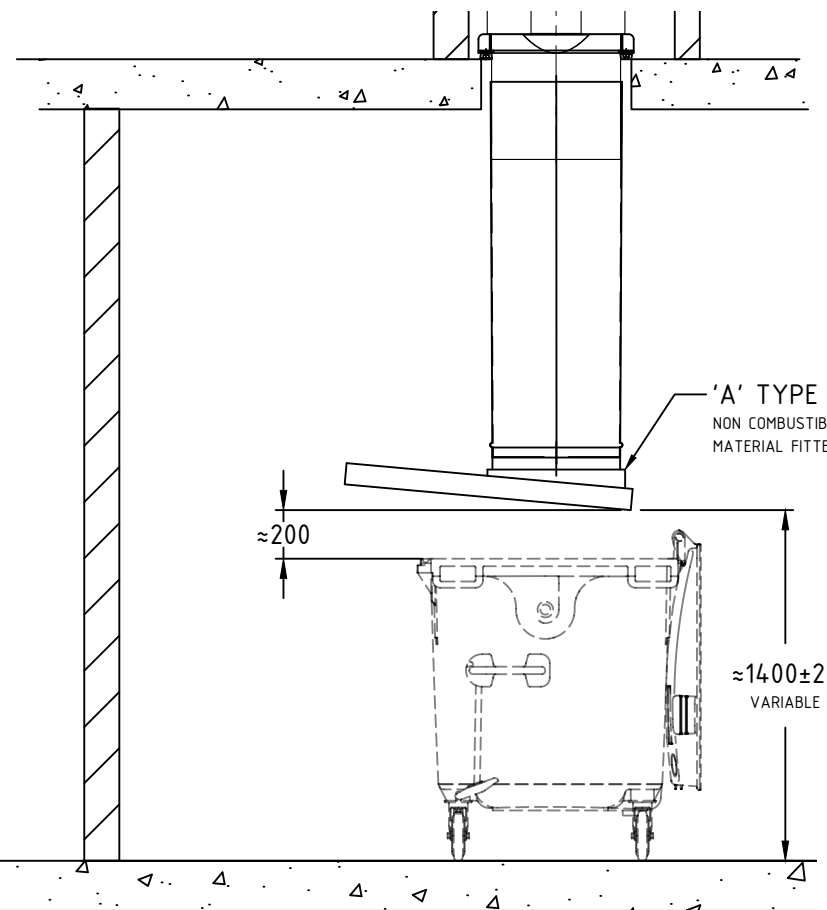
REMOVE ALL BURRS, SHARP EDGES AND PROCESSING RESIDUE. DO NOT SCALE - IF IN DOUBT, ASK. ALL DIMENSIONS IN MILLIMETRES  
 IT IS AN INFRINGEMENT OF THE COMPANY'S COPYRIGHT IN THIS DRAWING AND DESIGN TO COPY OR COMMUNICATE ITS CONTENTS TO ANY THIRD PARTY WITHOUT WRITTEN CONSENT OF J.D. MACDONALD

TOLERANCES UNLESS OTHERWISE SPECIFIED:  
 UP TO 10 ±0.25  
 OVER 10 UP TO 100 ±0.5  
 OVER 100 ±1  
 ALL ANGLES ±1°  
 MATERIAL: N/A  
 FINISH: N/A

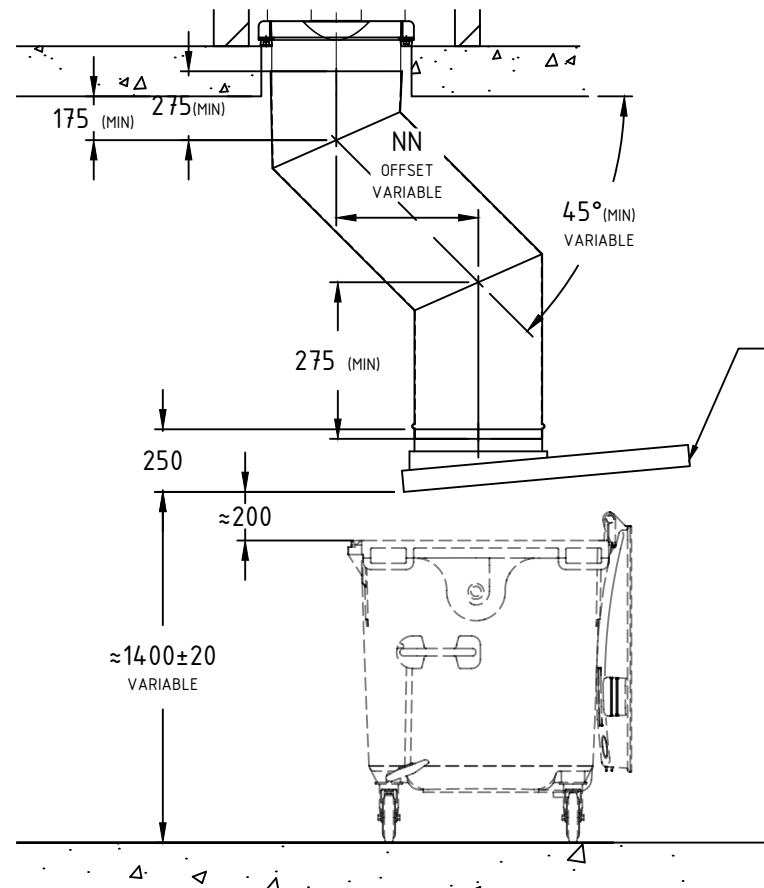
DESIGNED: RONAK
DRAWN: RONAK
CHECKED:
DATE: --/--/----
AREA:
MASS:

TO LOOK FOR DETAILS	DRAWING MODULE
TOP LEVEL / SERVICES	INTAKE ELEVATION
DISCHARGE / COLLECTION	DISCHARGE
TITLE: CH-D-550-INTAKE-SMS600-BH INTAKE PLAN MODULE Ø550 INTAKE PLAN 450 GARBAGE DOOR BH	
SCALE: NTS	DRG. NO: 550-INTAKE-SMS600-BH-P
SHEET: 01 OF 01	A3

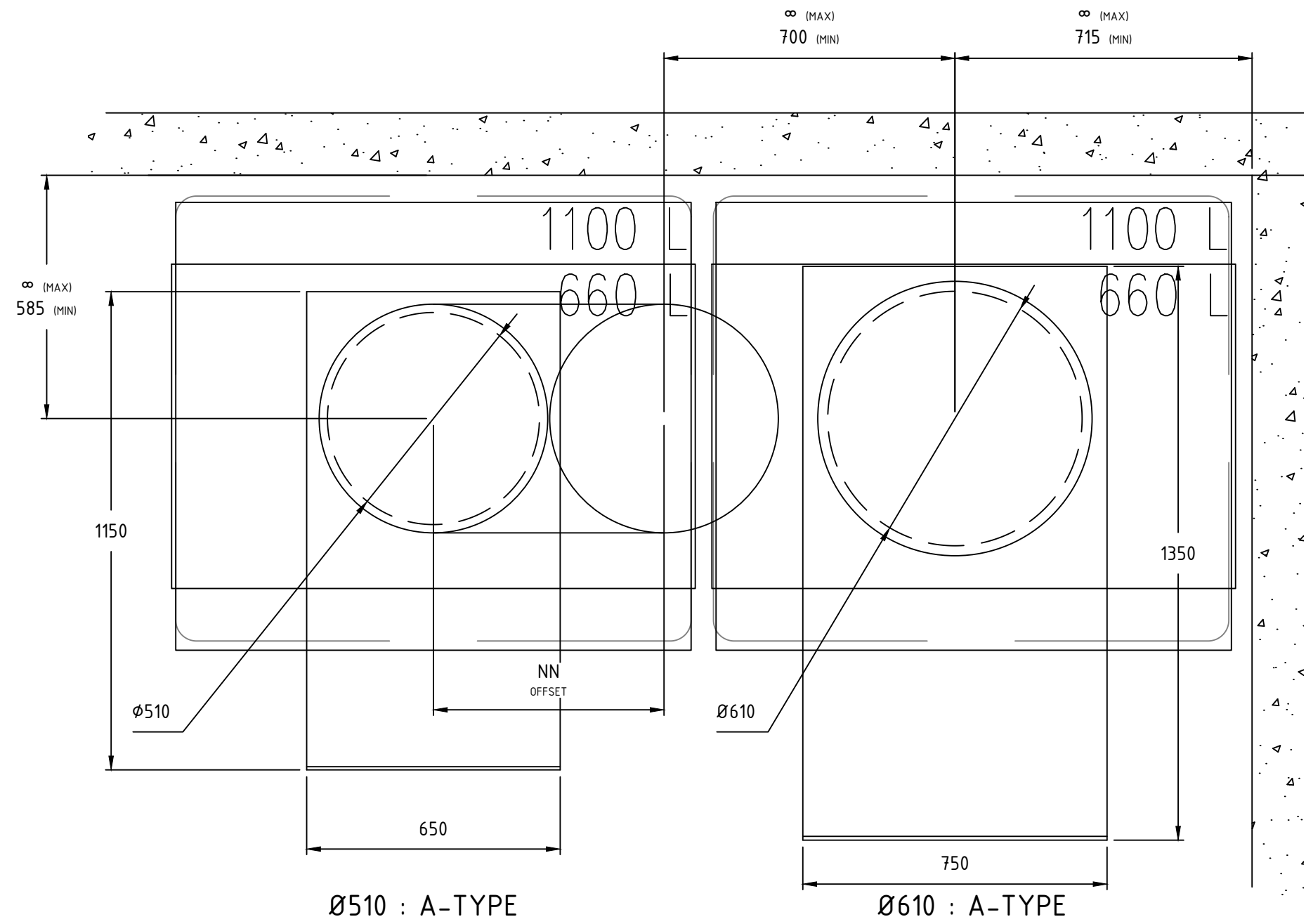
# DISCHARGE MODULE



## STRAIGHT DROP SITUATION



## OFFSET SITUATION



Ø510 : A-TYPE

Ø610 : A-TYPE

CHUTE SIZE Ø510-Ø550-Ø610  
 MINIMUM CLEARANCES FOR COLLECTION  
 WITH A-TYPE  
 LINEN - GARBAGE - RECYCLE

TO LOOK FOR DETAILS	DRAWING MODULE
TOP LEVEL / SERVICES	INTAKE ELEVATION
PENETRATION SET-UP	INTAKE PLAN

A	09/01/2020	INITIAL ISSUE	RONAK	STEVE
ISSUE	DATE	DESIGN NOTES	DRAWN	CHECKED
REVISION TABLE				

	DRAFTING STANDARD AS1100 - 1992	REMOVE ALL BURRS, SHARP EDGES AND PROCESSING RESIDUE. DO NOT SCALE - IF IN DOUBT, ASK. ALL DIMENSIONS IN MILLIMETRES	TOLERANCES UNLESS OTHERWISE SPECIFIED: UP TO 10 ±0.25 OVER 10 UP TO 100 ±0.5 OVER 100 ±1 ALL ANGLES ±1°	DESIGNED: RONAK	TITLE: CH-D-510-610-A-TYPE-PLAN-ELV DISCHARGE DOOR : A-TYPE COLLECTION ROOM DETAILS
				DRAWN: RONAK	
IT IS AN INFRINGEMENT OF THE COMPANY'S COPYRIGHT IN THIS DRAWING AND DESIGN TO COPY OR COMMUNICATE ITS CONTENTS TO ANY THIRD PARTY WITHOUT WRITTEN CONSENT OF J.D. MACDONALD				DATE: --/--/----	SCALE: DRG. NO: NTS 510-610-A-TYPE-PE
13-17 NAXOS WAY, KEYSBOROUGH, VIC 3173		FINISH: N/A	AREA: N/A	MASS: N/A	