



**GRE300 shown (Right side of Back rest)**  
**Displayed with PBR35A (Left Side)**

To order a **Combination set** use the codes: GRE300 + PBR35A (or PBR35ASS) + GRE300 for the complete set.  
For use with exposed cisterns only.

**SPECIFICATION**

To be used in conjunction with ASI JD MacDonald's Drop Down Back Rests for new project applications. This fully welded construction finished in satin stainless steel finish to promote durability, reliability and attaches to the arm of the Drop Down Back Rest known as PBR35A and PBR35ASS respectively. Designed for the safety, security and convenience of the physically disabled. Strong Ø75 fixing flanges. Easy to install on most building surfaces. Grab Rails provide flush mounting cover flanges on fully welded tube ends. This results in a single structural unit that is designed to give maximum strength, security and user confidence to support greater loads. Attractive stainless steel cover plates to conceal the flange and fixings.

**OPTIONS**

ASI JD MacDonald supply this special Grab Rail to satisfy the application in conjunction with ASI JD MacDonald's Drop Down Back Rest PBR35A and PBR35ASS.

Optional finishes available in Polished, Knurled or Powder Coated. Modification lengths available upon request in writing with supplied drawings for pricing.

**FINISH**

Manufactured from austenitic 18-8 grade 304 stainless steel.


**RECOMMENDED INSTALLATION**

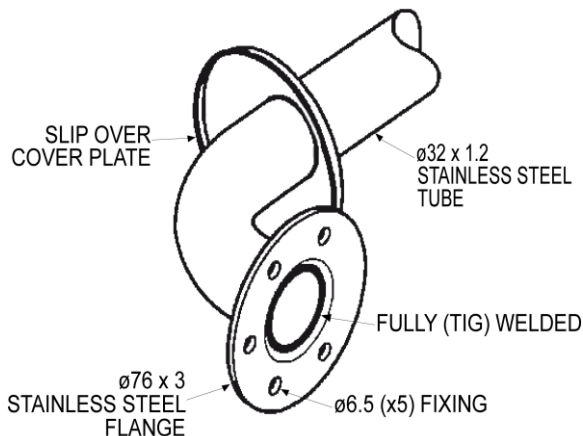
To comply with the Australian Disabled Standards please refer to the AS 1428.1-2009 Standard. Prior to installation of the Back Rest ensure the collar is assembled on the arm of the back rest rail prior to installation of the actual grab rail. This rail is also adjustable to the ASI JD MacDonald Back Rests.

**WARRANTY**

One year.

**Grab Rail GRE300** shall be Model No. GRE300 and shall be a length of 300mm (variable modification lengths upon request) as supplied by ASI JD MacDonald.

 All ASI JD MacDonald disabled compliant products when installed must be in accordance with AS1428 to ensure the specified product is complying with all washroom specification requirements.



**Grab Rail**  
**Model No. GRE300**

---

