



## FEATURES

Surface Mounted Parallel Classic Baby Change Station includes a concealed pneumatic gas spring mechanism for smooth, safe and effortless opening and closing. The compact, slim profile can fit into the smallest of washrooms. The hygienic, non-absorbent child safety strap features a lockable two step cam-buckle providing effortless size adjustment with one hand. This easy to clean unit resists odours and bacterial growth. Safety information and universal instruction graphics including Braille are illustrated on easy to read labels. Dual moulded liner dispensers hold approximately 25 liners each. Convenient bag hooks are located on both sides of unit.

## INSTALLATION DETAILS

Simple and quick to install with step-by-step instructions and all mounting hardware supplied. Mounting caps provided to conceal screw holds for a quality finish. Unique wall bracket mounting system spreads load-bearing force on wall, improving safety and facilitating easy retrofitting.

## SPECIFICATION

Unit supports a static load of up to 113kg when properly installed in accordance with the Installation and Operating Instructions supplied with the unit.

## MATERIAL

High density polyethylene body (HDPE).

## OPTIONS

- Box of 500 liners (Part No: LCR)
- Replacement belt assembly (Part No. B003)

## WARRANTY, PRODUCT LIABILITY & VANDALISM PROTECTION

ASI JD MacDonald Baby Change Stations are guaranteed against defective materials and faulty workmanship for 5 years from date of purchase, subject to being installed and maintained in accordance with the Installation and Operating Instructions supplied with the unit.

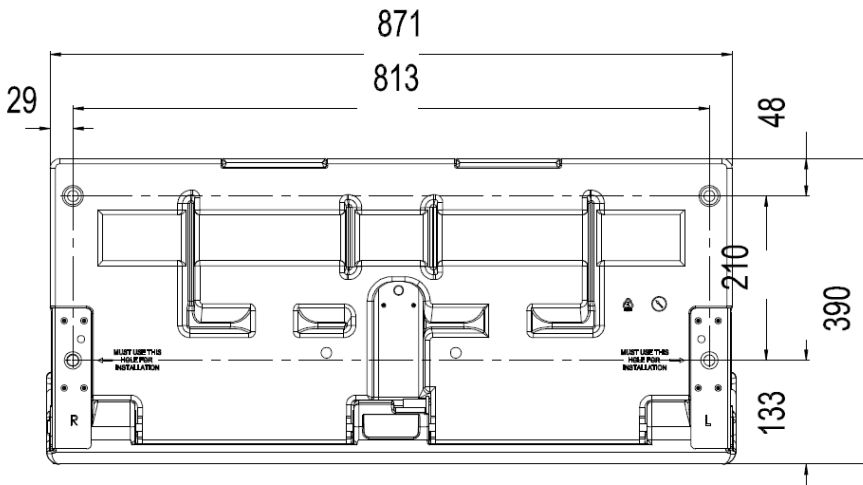
A \$10 million product liability insurance policy is maintained on all baby change stations.

**Surface Mounted Classic Baby Change Station Parallel** shall be Model No. BCP-JDM as supplied by ASI JD MacDonald.

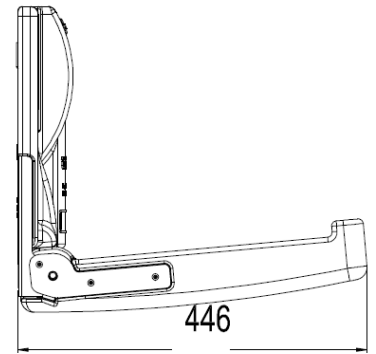


All ASI JD MacDonald accessible compliant products when installed must be in accordance with AS1428 to ensure the specified product is complying with all washroom specification requirements.

**CAD DIAGRAMS**



**BACK VIEW**



**SIDE VIEW (OPEN)**