

Hand Dryer Operating Instructions and Parts Manual

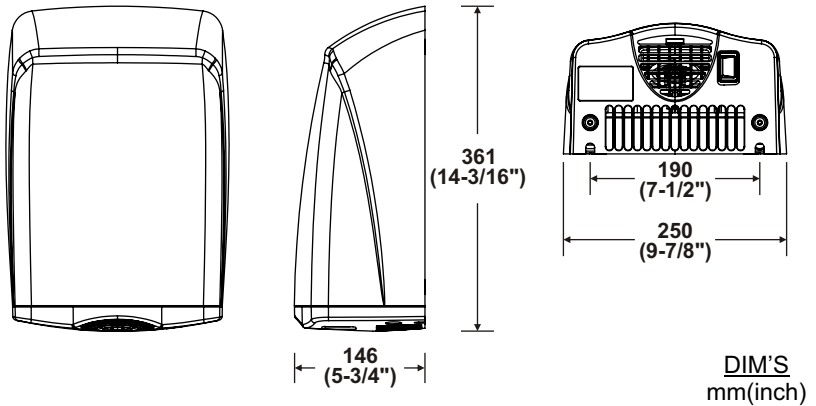
Applause Automatic Hand Dryer

PLEASE CAREFULLY READ THROUGH THIS MANUAL BEFORE USING THE PRODUCT. OBSERVING ALL SAFETY INFORMATION, WARNINGS AND CAUTIONS WILL PROTECT YOURSELF AND OTHERS. PLEASE KEEP INSTRUCTIONS FOR FUTURE REFERENCE.

MODEL : HDAPWHT

MODEL : HDAPPSS

MODEL : HDAPSSS



TECHNICAL SPECIFICATIONS

ITEM CATEGORY	PERFORMANCE DATA
Operating Voltage	220-240VAC, 50/60Hz, 4.16A, 1.0KW
Output Warm Air Volume	151m ³ /h [89 CFM]
Output Warm Air Temp	65°C [149°F] at ambient T=25°C [77°F]
Output Air Speed	26.8mph (39.3ft/s) [12m/s {43.2km/h}]
Motor Type	100W, 2800rpm, dual ball bearings
Motor Thermal Protection	Auto resetting thermostat turns unit off at 105°C [221°F]
Heater Element	900W @ 220-240VAC, nichrome 64Ω
Heater Thermal Protection	Auto resetting thermostat turns unit off at 85°C [185°F], resets at 75°C [167°F]
Drying Time	Less than 30 seconds
Circuit Operation	Infrared automatic, self adjusting
Sensor Range	100mm to 250mm [4" to 10"], adjustable; standard 170mm ± 20mm [7"]
Timing Protection	60 seconds auto shut off
Timing Duration	10 seconds delayed turn off after last sensor read
Sound Level	55.1dB @ 2m
Cover Type	Formed steel or stainless steel, 1.2mm
Cover Finish	Powder coating white on steel or bright or satin on stainless steel
Net Weight	4.6Kg [10.2lbs]
Shipping Weight	5.2Kg [11.5lbs]
Unit Size	250mm W x 361mm H x 146mm D [9-7/8" x 14-3/16" x 5-3/4"]

Input	Motor			Heater		Total	
VAC	Vac	Inrush A(W)	Operating A(W)	Vac	Operating A(W)	Inrush A(W)	Operating A(W)
220	220	0.57 (126)	0.37 (84)	220	3.43 (757)	4.00 (883)	3.80 (841)
230	230	0.59 (138)	0.39 (92)	230	3.59 (827)	4.18 (965)	3.98 (919)
240	240	0.62 (150)	0.41 (100)	240	3.75 (900)	4.37 (1050)	4.16 (1000)

General safety information

⚠ WARNING *This product is intended for installation by a qualified service person.*

⚠ WARNING *Disconnect power at the source before installing or servicing.*

⚠ DANGER *Failure to properly ground unit could result in severe electrical shock and/or death.*

⚠ WARNING *All units must be supplied with a 3-wire service. The ground wire must be connected to the dryer's backplate.*

-- NOTE: Do not install dryer over washbasin --

Installation

1. Make sure the power source is switched off. Installation must be carried out in accordance with the current edition of the local wiring regulations code having jurisdiction. Installation should be performed only by a qualified electrician.
2. Place template against wall at desired height (see mounting height recommendations) and mark locations of 4 mounting holes and wire service entry at knockout (KO) location.
Note: For two or more dryers, dryers should be no closer than 610mm on center.
3. Remove and retain 2 cover screws and cover.
4. **For in-wall (concealed) power supply** - Provide supply wire to KO location according to local code and attach securely to chassis at KO with appropriate strain relief connector (not supplied).
5. Attach dryer to wall. For wood wall/studs use M6 screws at length that will ensure 25mm min. stud penetration. For masonry walls use expansion bolts or anchors for M6 screws to ensure penetration 6mm deeper than anchor. Shim if necessary to ensure base plate is flat against wall.
6. Connect supply and ground wires to terminal block where indicated or connect supply wires to terminal block where indicated and connect ground wire to base plate with ground screw (Connections: A. Connect the live wire (colored Brown or Black) to the terminal block marked "L1". B. Connect the neutral wire (colored White or Grey) or connect the second live wire (colored Red or Orange) to the terminal block marked "N/L2". C. Connect the ground wire (colored green or green and yellow or bare conductor) to the terminal block marked "⊕" or to the green screw marked "⊕"). Colors of live and neutral wires depend on voltage of supply service and requirements of Building and Electrical Code having jurisdiction.
7. Replace cover. Do not over-tighten screws.

Packing List	Quantity
Self-Threading Screws	4
Plastic Expansion anchor	4
Dryer	1
Security hex wrench	1
Manual	1
Mounting template	1
Power cord	1

Recommended mounting heights

- from bottom edge of dryer above finished floor (AFF)

Men	1270 mm	(50")
Women	1194 mm	(47")
Children 4-7 years	889 mm	(35")
Children 8-10 years	991 mm	(39")
Children 11-13 years	1092 mm	(43")
Children 14-16 years	1194 mm	(47")
Handicaped	1016 mm	(40")

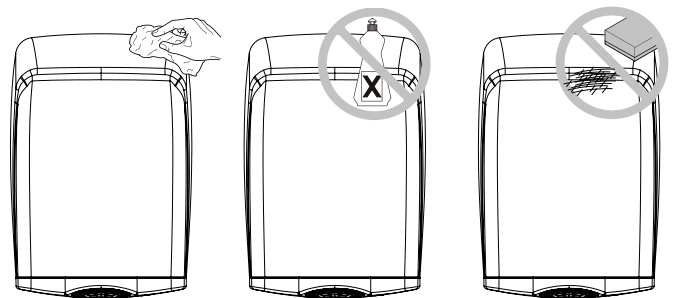
Operation

- No-touch operation.
 - Shake excess water from hands.
 - Place hands under the outlet to start operation.
 - Rub hands lightly and rapidly.
 - Stops automatically after hands are removed.
 - Sensor Adjustment Control:
 - ↻ Clockwise: Increases the sensing range(+)
 - ↻ Counterclockwise: Decreases the sensing range(-)
- DO NOT OVERTURN!**

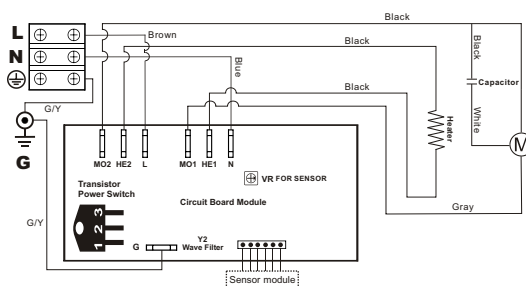
Cleaning and Maintenance

Periodic cleaning of the unit is recommended to ensure optimum performance.

- Disconnect the electrical supply.
- Remove the two cover-mounting screws.
- Remove the cover.
- Clean all dust lint from the interior of the dryer.
- Wipe the cover with a damp cloth and mild cleaning solution. Do not Soak. Never use abrasives to clean the cover.
- Replace the cover. Do not over tighten the screws.



Circuit Diagram



Troubleshooting

Symptom	Corrective Actions
If the dryer will not run	First ensure that the breaker supplying the dryer is operational. If it is, disconnect the power and remove the dryer cover. Check for obstructions blocking the rotation of the blower and clear any found. If it spins freely, check the motor and thermostat for proper operation out of the unit. Replace any failed items. Taking suitable precautions to avoid shock hazard, reconnect the power and check for voltage at the terminal block. If there is power and the dryer will not run, replace the timer assembly and/or sensor module.
If the dryer cycles by itself, or runs all the time, or shuts off by itself while in mid-cycle	Ensure that there is no obstruction on or in front of the infrared sensor. Clean any dirt off the sensor lens. Check for voltage spikes on power line. If the problem persists, replace the timer assembly and/or the sensor module.
If the element gets hot but the fan motor does not turn	Disconnect the power. Remove the dryer cover and check for obstructions in the fan housing. Damaged fans must be replaced. If there are no obstructions, replace the motor.
If the unit runs but makes a buzz noise	Disconnect the power. Remove the dryer cover and check the fan for obstructions and/or rubbing on the housing as it rotates. Remove any obstructions and replace fan if the rubbing condition exists.
If the fan motor runs but the element does not get hot (Dryer blows cold air)	Disconnect the power and remove the dryer cover. Check for loose or damaged wires. Remove the blower housing. Check the element for signs of burning or breakage. Damaged element must be replaced. If the element does not appear damaged, disconnect it at the timer assembly and check element wire continuity (see tech spec). An open circuit indicates damage to the element wire and to the integral temperature limit control (TLC). Separate the TLC and test for open circuit. If this is the case, replace the element and/or the thermostat.
If the motor makes ticking/winding noise when it runs	Disconnect the power. Replace the motor.

Repair parts list

Key	Part #	Description	Qty	Key	Part #	Description	Qty
1	A0370	Base plate	1	21	A0344	Shell turnstile	1
2		CAUTION Label	1	22	A0068	CAUTION DISCON PWR Label	1
	A0132	240VAC-8A		23		Rating Label	1
3	A0333	Terminal Label	1		A0345	HDAPWHT	
4		Timer assembly	1		A0346	HDAPPSS	
	A0061	220-240VAC			A0347	HDAPSSS	
5		Motor Capacitor	1	24	A0348	Security hex screw	2
	A0102	220-240VAC 1.2uF		25	A0349	Sensor Module, 13-6/8" cable	1
6	A0011	Grounding screw with cup	1	26	A0124	Security hex wrench	1
7	A0133	Mylar shieldwith LNG marked	1	27	-	Self threading screw M4x6,	2
8	A0010	Terminal block	1			philips pan head	
9	A0183	Nylon cable clamp	1	28	-	Self threading screw M4x10,	10
10	A0146	Nylon hole bushing	1			philips pan head	
11	A0334	Power line deduction	1	29	-	Screw M5x10,philips pan head	4
12	A0335	Power cord	1	30	-	Screw M4x10,philips pan head	3
13	A0336	Blower mounting bracket	1			with external tooth lock washer	
14	A0337	Blower housing - RH	1	31	-	Screw M3x16,philips pan head	2
15	A0338	Blower wheel	1	32	-	Screw M4x6,philips pan head	3
16	A0339	Blower housing - LH	1				
17		Motor	1				
	A0110	100W@240VAC					
18		Heater assembly	1				
	A0350	900W@240VAC, 64Ω					
19	A0340	Label, Circuit Diagram	1				
20		Cover	1				
	A0341	Steel - Powder coating white					
	A0342	Stainless Steel - Bright					
	A0343	Stainless Steel - Satin					

Assembly Diagram

