

Shown: Model No. 10-7402-BD

#### SPECIFICATION

Recessed Toilet Paper Holder shall hold and dispense all standard core roll tissue up to 152mm in diameter roll and shall be of one piece construction fabricated of stainless steel type 304 alloy 18-8. Outer shell shall have two (2) perforated lugs for wet wall anchoring or two (2) dimpled holes for dry wall installation. Roller shall be chrome plated high impact resistant ABS plastic and shall be spring-loaded. Mounting style shall be wet wall or dry wall as chosen by option and indicated by code suffix. All exposed surfaces shall be satin or bright finish as chosen by option and indicated by code suffix.

#### INSTALLATION

**For Wet wall Recessed Mounting:** Slop grout into rough wall opening. Apply grout to back of unit and on perforated lugs and push unit into opening to seat flange flush with wall face. Allow unit to set and grout to cure before use.

**For Standard Dry Wall Recessed Mounting:** Use two (2) No 10 stainless steel Philips flat or oval head self-tapping or wood screws (by others) of suitable length to penetrate blocking in back of RWO by approximately 13mm. Apply a continuous bead of silicone sealant (by others) behind flange. Tighten screws to hold flange tight against finished wall face. Wipe off excess sealant immediately.

**Optional Method for Dry Wall Recessed Mounting:** Order separate item Model No 39 dry wall clamp. Loosely attach clamp to the back of the unit with two (2) stainless steel Philips flat or oval head No 10B (or 10AB or 10BP) self-tapping screws (provided by others to suit wall conditions) through dimpled holes at back of shell. Apply a continuous bead of silicone sealant (by others) behind flange. Insert into RWO and adjust clamp so that it grips inside wall surface through opening. Secure accessory to clamp and wall by tightening screws. Wipe off excess sealant immediately.

For mounting height standards refer to current Building Code of Australia for able bodied and/or disabled use.

Rough wall opening (RWO) required is 140mm x 140mm x 51mm.

#### WARRANTY

One year.

#### OPTIONS

Optional finish and mounting style must be specified as either bright or satin and wet or dry wall. Specify finish and mounting by adding code suffixes to model number

10-7402-BD	Recessed, Bright Stainless Steel
10-7402-SD	Recessed, Satin Stainless Steel
10-7402-HBD	Recessed, Hooded, Bright Stainless Steel
10-7402-HSD	Recessed, Hooded, Satin Stainless Steel
10-7402-BSM	Surface Mounted, Bright Stainless Steel
10-7402-SSM	Surface Mounted, Satin Stainless Steel
10-7402-HBSM	Surface Mounted, Hooded, Bright Stainless Steel
10-7402-HSSM	Surface Mounted, Hooded, Satin Stainless Steel


Option-S = Satin finish

Option-B= Bright polish finish

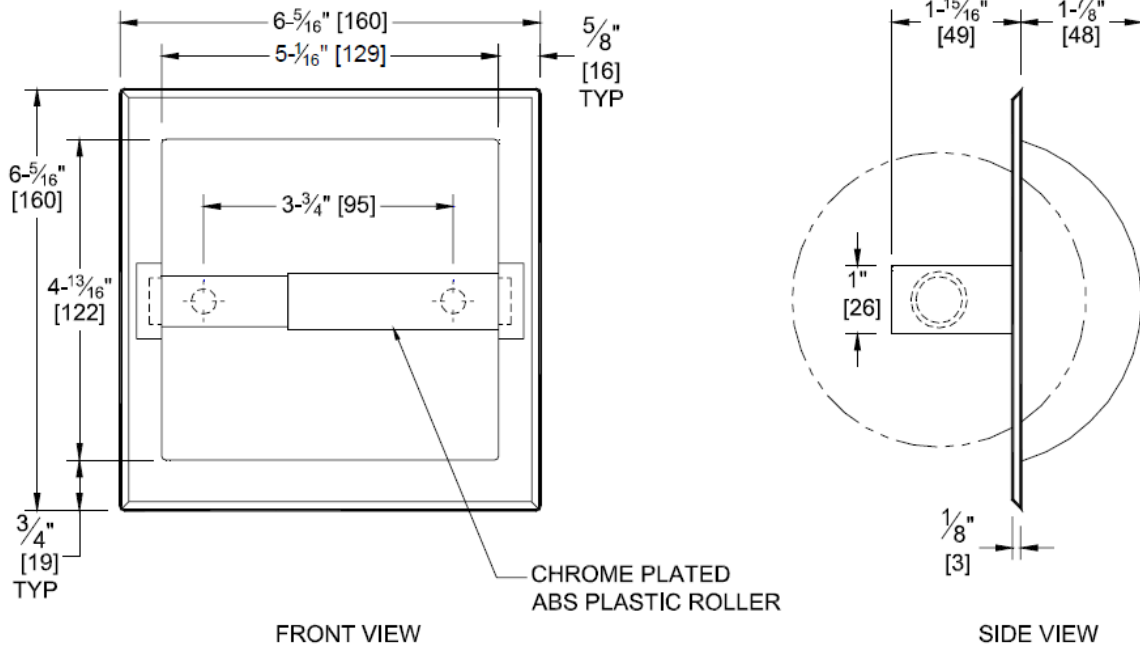
Option-W = Wet wall installation

Option-D= Dry wall installation

**Single Toilet Roll Holder Recessed** shall be Model No.10-7402 as supplied by ASI JD MacDonald. (10-39 mounting clamp for dry walls).

 All ASI JD MacDonald disabled compliant products when installed must be in accordance with AS1428 to ensure the specified product is complying with all washroom specification requirements.

**Single Toilet Roll Holder**  
**Recessed**  
**Model No. 10-7402**



**NOTE:**  
 ALL DIMS  
 INCH [MM]

ASI JD MacDonald reserves the right to, and does from time to time, make changes and improvements in design and dimensions. The photographs and line drawings of the products in this flyer are representational only. All dimensions are in millimetres unless otherwise stated.