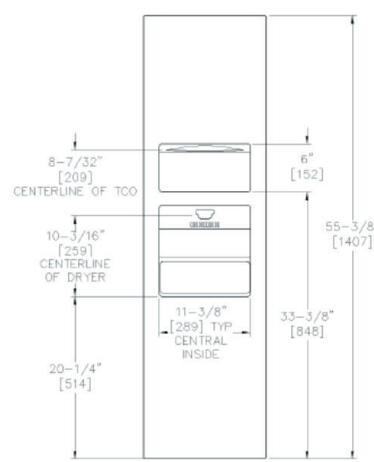
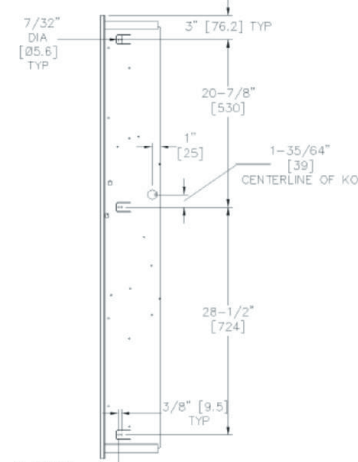


### TURBO 3IN1 PAPER TOWEL DISPENSER, HIGH-SPEED HAND DRYER & WASTE BIN – PIATTO™ COLLECTION

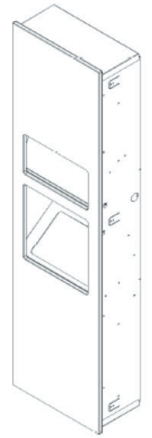
#### Hand Dryers



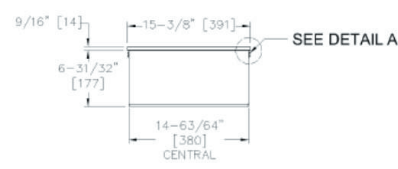
FRONT VIEW



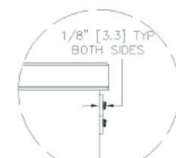
SIDE VIEW



ISOMETRIC



BOTTOM VIEW



DETAIL A

**NOTE:**  
ALL DIM'S INCH [MM]



#### SUSTAINABILITY



#### PRODUCT OVERVIEW

This sophisticated 3-in-1 cabinet is designed to be completely recessed into the plane of the washroom wall, highlighting the seamless design that defines Piatto™. The phenolic door is attached to the cabinet using field-adjustable, furniture quality hinges and is secured shut by an internal spring-loaded latch. All hardware is concealed giving the Piatto™ Collection its minimalist appeal.

Holds and dispenses 500 standard multi-fold or 400 standard C-fold paper towels. Dispensing of multi-fold or C-fold paper towels does not require an additional adapter. Paper towels are manually withdrawn through dispensing slot and feed properly until depleted. Unit will continue to feed towels properly when correctly reloaded with a partial load in place. Refill dispenser by unlatching door and replacing towels for an empty or partially empty unit.

#### KEY FEATURES & SPECIFICATIONS

- Electrical Supply: AC, 220–240V 50/60Hz, 1000 Watt, 3-4A
- Motor: 500 Watt, Brush Type, Dual Ball Bearings
- RPM: 22,000 - 29,000 (adjustable)
- Element: 275-500 Watt (adjustable)
- Air Speed: 199 – 296 km/hr (adjustable)
- Noise Level: 60.5 – 67.2 dB-A @2M
- Drying Time: Approx. 15 seconds
- Electrical Safety Requirements: AS/NZS 60335.2.23:2004

### **OPERATION & MAINTENANCE**

Paper towels are manually withdrawn through dispensing slot and feed properly until depleted. Unit will continue to feed towels properly when correctly reloaded with a partial load in place. User activates dryer by placing hands in the sensor zone indicated by graphic on door. Drying time is automatically initiated as long as movement is sensed up to a maximum of two (2) minutes to prevent accidental hold-on. Dryer automatically shuts off after time-out when hands are removed from the sensor zone. Refill dispenser by opening door and replacing towels for an empty or partially empty unit. Dispenser supply is replenished and waste container is emptied manually on cycles determined by maintenance needs. Full cover and spring-hinge flap door on WR prevents unsightly overloads.

### **TECHNICAL INFORMATION / PRODUCT PROPERTIES**

<b>Property</b>	<b>Value</b>
Dimensions	Overall Dimensions: 391 x 1407 x 191 mm Finished Wall Opening (FWO): 392 x 1408 x 194 mm
Construction	10-64672-2-00 White finish 10-64672-2-41 Matte Black finish
Mounting	Recessed
Electrical	AC, 220–240V 50/60Hz, 1000 Watt, 3-4A

### **INSTALLATION**

Mount unit in wall recess using six (6) 10 x 1-1/2" [M5 x 38] self tapping Pan Head screws (by others) through concealed mounting holes provided in Shim-less adjustable mounting tabs. See IG diagram for electrical service cable rough-in location. Electric service is supplied and connected (by others) prior to installing cover and brought to FWO at location indicated on diagram and is hooked up (by others) in accordance with schematic and OM & IG provided with unit. Dryer is mounted to chassis wiring box with four (4) 1/4-20 pan head screws (provided) through bushings in heavy-duty back plate. Electrical service is connected (by Electrician) prior to installing cover. Cover is secured to back plate with recessed socket-pan-head tamper-resistant pin-hex bolts (supplied) with security pin-hex driver (supplied). See OM & IG for complete installation instructions packed with unit. For mounting height standards refer to current Building Code of Australia for able bodied and/or disabled use.

### **WARRANTY**

One year on cabinet, 5 years on hand dryer (first year parts & labour, remaining 4 years parts only).