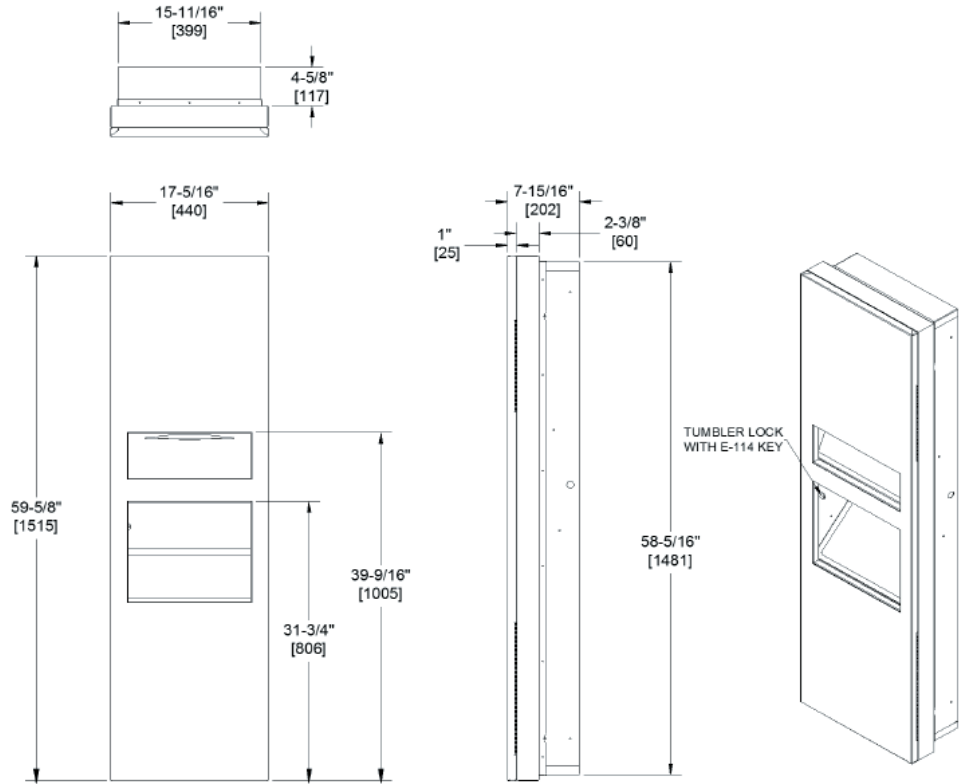


**2 IN 1 PAPER TOWEL DISPENSER & WASTE BIN – SELECT CLASSIC G2**

*Paper Towel Dispenser & Waste Bin Combination Units*



**NOTE:**  
ALL DIM'S INCH [MM]

Scan for information



**PRODUCT OVERVIEW**

Integrated stainless steel cabinet with two features in one installation. Manufactured from high quality 304 stainless steel. Select Classic G2 provides a paper towel dispenser and large capacity waste bin (26L). Easy installation and service via a security locked front door. Protected for shipment by PVC coating on all surfaces.

**KEY FEATURES & SPECIFICATIONS**

- Integrated stainless steel cabinet with two features in one installation
- Manufactured from high quality 304 stainless steel
- Easy installation and service via a security locked front door
- Protected for shipment and installation by PVC coating on all surfaces
- Paper towel dispenser: holds 500 standard multi-fold or 400 standard C-fold
- Waste bin: 26L

**OPERATION & MAINTENANCE**

Paper towels are manually withdrawn through dispensing slot and feed properly until depleted. Unit will continue to feed towels properly when correctly reloaded with a partial load in place. Refill dispenser by unlocking door and replacing towels for an empty or partially empty unit. Dispenser supply is replenished and waste container is emptied manually on cycles determined by maintenance needs. Locking full-face door over compartments prevents unauthorised access or removal. Full cover and spring-hinge flap door on WR prevents unsightly overloads.

**TECHNICAL INFORMATION / PRODUCT PROPERTIES**

Property	Value
Dimensions	Overall Dimensions: 440 x 1515 x 202 mm Rough Wall Opening (RWO): 408 x 1494 x 127 mm
Construction	10-764671-SR2 small cavity trim for semi recessed installations 10-764671-SM trim for surface mount installations
Mounting	Recessed

**INSTALLATION**

Unit is mounted in wall recess using No10 [M5] self-tapping screws (by others) through concealed mounting holes provided. Note that top of RWO is 10mm below top of unit. The unit must be at 100mm from the finished floor level to comply with Australian Disabled Standards 1428.1 & 1428.2.

**WARRANTY**

1 year warranty.