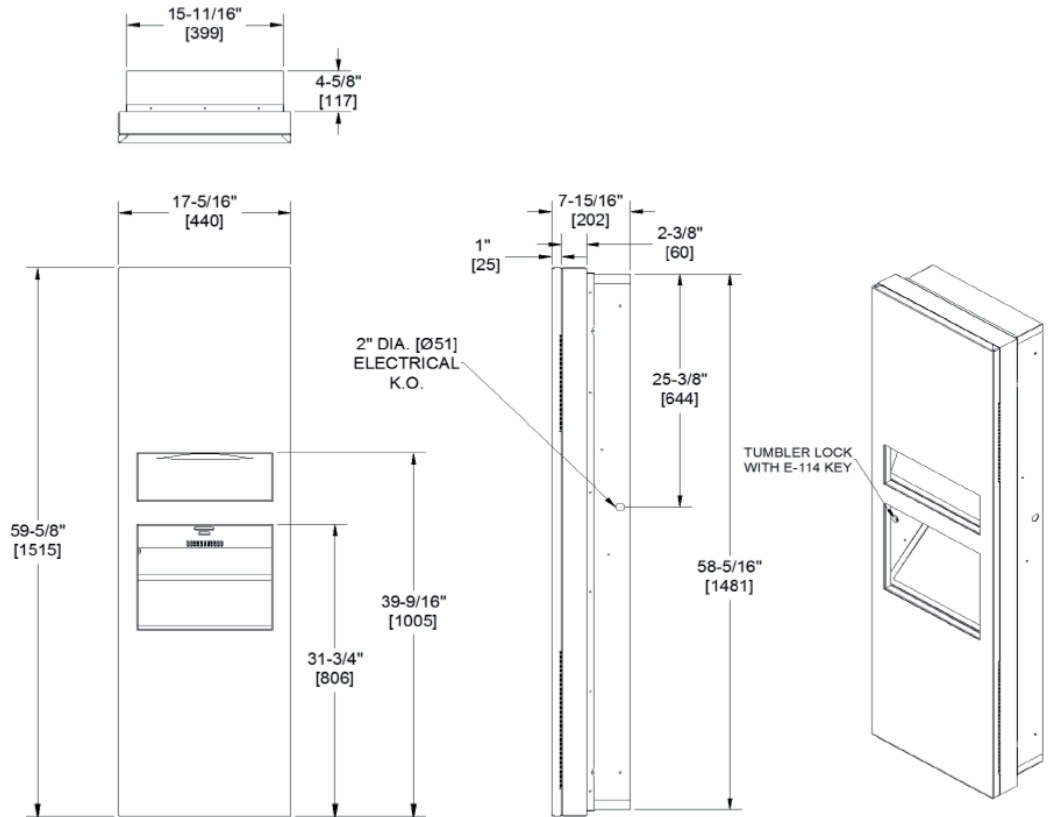


3 IN 1 PAPER TOWEL DISPENSER, HIGH-SPEED HAND DRYER & WASTE BIN – SELECT CLASSIC G2

Hand Dryers



NOTE:
ALL DIM'S INCH [MM]

Scan for information



SUSTAINABILITY



PRODUCT OVERVIEW

Integrated stainless steel cabinet with three features in one installation. Manufactured from high quality 304 stainless steel. Select Classic G2 provides a fully automatic high-speed hand dryer with adjustable air speed and temperature settings, paper towel dispenser and large capacity waste bin (26L). Easy installation and service via a security locked front door. Protected for shipment by PVC coating on all surfaces.

*NB – this unit replaces the old 'Select' 3in1 units; JDM-SEL-3000 & JDM SEL-3001

KEY FEATURES & SPECIFICATIONS

- Integrated stainless steel cabinet with three features in one installation
- Manufactured from high quality 304 stainless steel
- Provides a high-speed hand dryer, paper towel dispenser and large capacity waste bin
- Easy installation and service via a security locked front door
- Protected for shipment and installation by PVC coating on all surfaces
- Paper towel dispenser: holds 500 standard multi-fold or 400 standard C-fold
- Waste bin: 26L
- Dry time: approx. 15 seconds

OPERATION & MAINTENANCE

Paper towels are manually withdrawn through dispensing slot and feed properly until depleted. Unit will continue to feed towels properly when correctly reloaded with a partial load in place. User activates dryer by placing hands in the sensor zone indicated by graphic on door. Drying time is automatically initiated as long as movement is sensed up to a maximum of two (2) minutes to prevent accidental hold-on. Dryer automatically shuts off after timeout when hands are removed from the sensor zone. Refill dispenser by unlocking door and replacing towels for an empty or partially empty unit. Dispenser supply is replenished and waste container is emptied manually on cycles determined by maintenance needs. Locking full-face door over compartments prevents unauthorised access or removal. Full cover and spring-hinge flap door on WR prevents unsightly overloads.

TECHNICAL INFORMATION / PRODUCT PROPERTIES

Property	Value
Dimensions	Overall Dimensions: 440 x 1515 x 202 mm Rough Wall Opening (RWO): 408 x 1494 x 120mm (minimum)
Construction	10-764671-SR2 small cavity trim for semi recessed installations 10-764671-SM trim for surface mount installations
Mounting	Recessed
Electrical	AC, 220–240V 50/60Hz, 1000 Watt, 3-4A

INSTALLATION

Unit is mounted in wall recess using 10 [M5] self-tapping screws (by others) through concealed mounting holes provided. See diagram for electrical cable rough-in location. Electric service of 240VAC 20A 50/60 Hz (provided by others) is brought to RWO at location indicated on diagram above and is hooked up (by others) in accordance with schematic and OM & IG provided with unit. Dryer is mounted to chassis wiring box with four (4) 1/4-20 pan head screws (provided) through bushings in heavy-duty back plate. Electrical service is connected (by Electrician) prior to installing cover. Cover is secured to back plate with recessed socket-panhead tamper-resistant pin-hex bolts (supplied) with security pin-hex driver (supplied). Note that top of RWO is 10mm below top of unit. The unit must be at 100mm from the finished floor level to comply with Australian Disabled Standards 1428.1 & 1428.2.

WARRANTY

One year on the cabinet, 5 years for the hand dryer (first year parts & labour, remaining 4 years parts only)