



## SPECIFICATION



Recessed Paper Towel Dispenser and Waste Bin shall hold and dispense 800 standard multi-fold or 600 standard C-fold or 1100 standard single-fold paper towels, and shall have a waste capacity of 34 litres. Cabinet, door, dispenser, and waste bin shall be fabricated of 18-8 stainless steel, grade 304. Cabinet shall be 20 gauge with a 25mm wide perimeter trim to lay flush against wall. All exposed surfaces shall have a No. 4 satin finish, and shall be protected during shipment with PVC film easily removable after installation. Full face door shall be 18 gauge, fabricated from one piece, with no miters, welding or open seams on face and have a 13mm square return to the wall. Door shall be attached to the cabinet body with a full length 5mm diameter stainless steel multi-staked piano hinge and shall be held closed with two (2) tumbler locks keyed alike to other ASI JD MacDonald washroom equipment. Towel dispensing opening shall have a fully deburred edge for snag free dispensing and user safety. Waste bin shall have a rolled edge finger hole for easy servicing and removal. Structural assembly of body and door components shall be of welded construction.

## INSTALLATION

Unit is mounted in wall recess with No. 10 self-tapping screws (supplied by others) through concealed mounting holes provided. Note that top of Rough Wall Opening (RWO) is 19mm below top of unit. For general utility install unit with centerline of towel dispenser slot between 1245 and 1422mm AFF. For mounting height standards refer to current Building Code of Australia for able bodied and/or disabled use. Rough Wall Opening (RWO) required is 400mm x 1335mm x 152mm.

## OPERATION

Towels are self feeding until supply is depleted. Unit will continue to feed properly when refilled with a partial load in place. Waste bin is emptied manually on a cycle determined by maintenance needs. Locked door prevents unauthorized access.

## WARRANTY

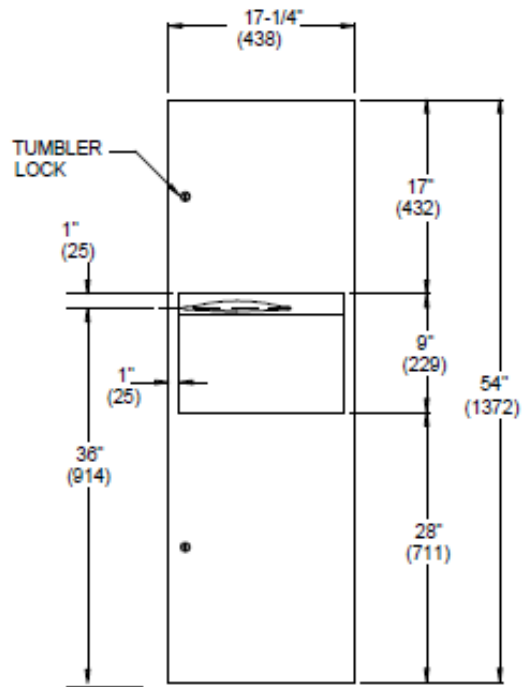
One year.

**Recessed Paper Towel Dispenser & Waste Bin** shall be Model No. 10-6462 as supplied by ASI JD MacDonald.

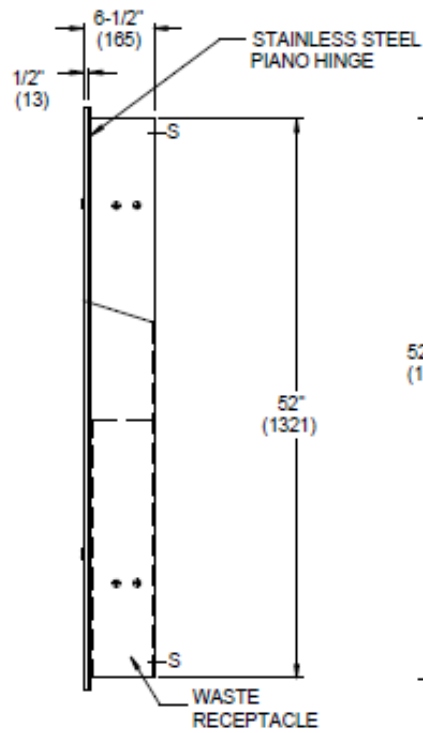


All ASI JD MacDonald disabled compliant products when installed must be in accordance with AS1428 to ensure the specified product is complying with all washroom specification requirements.

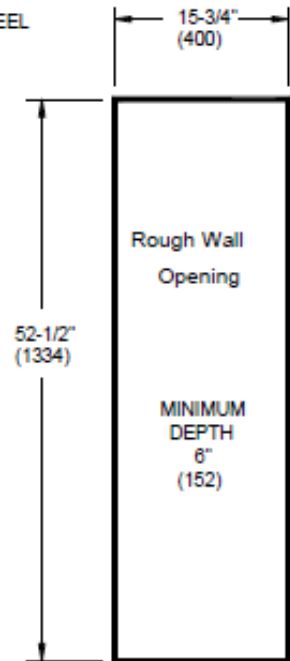
**Recessed  
Paper Towel Dispenser & Waste Bin  
Model No. 10-6462**



FRONT VIEW



SIDE VIEW



FINISHED FLOOR