



### SPECIFICATION

Paper towel dispenser and waste receptacle for under vanity mounting shall hold and dispense 300 C-fold or 475 multi-fold paper towels and have a waste capacity of 38 L. Cabinet shall be 20 gage type 304 stainless steel alloy 18-8 with satin finish on all exposed surfaces. Waste disposal door shall have push door for waste opening hung on 4.8mm diameter spring hinges and door shall be hung on full length 4.8mm diameter piano hinge. Towel compartment door shall have hemmed TCO for user safety and shall be hung on 4.8mm diameter spring hinges. Waste disposal door and towel dispenser compartment door shall be held closed with tumbler locks keyed alike to other ASI JD MacDonald washroom equipment. Internal WR shall be 24 gage type 304 stainless steel alloy 18-8 with D-ring pull for easy access and shall have bag hooks to retain disposable liner bag (by others) for leak proof service.

### INSTALLATION

Mount unit under vanity using nine (9) № 10 self-tapping screws (by others) through concealed mounting holes provided in top flanges. Minimum height of underside vanity mounting surface is 762mm AFF. Minimum counter depth is 711mm to allow cabinet front to be behind edge of counter.

### OPERATION

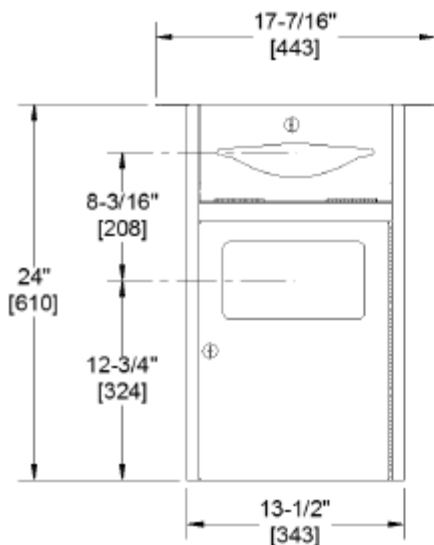
Towels are self-feeding until supply is depleted. Unit may be reloaded with a partial load in-place and will continue to feed properly. Waste container is emptied manually on cycle determined by maintenance needs. Locked compartments prevent unauthorised access or removal.

### WARRANTY

One year.

**Under Vanity Paper Towel Dispenser & Waste Receptacle** shall be Model No. 10-4004 as supplied by ASI JD MacDonald.

♿ All ASI JD MacDonald disabled compliant products when installed must be in accordance with AS1428 to ensure the specified product is complying with all washroom specification



NOTE:  
ALL DIMS  
INCH [MM]

N.T.S.

