



SPECIFICATION

Royal™ Collection Angle Framed Mirror with Tempered Glass shall have frame fabricated of 18 gauge type 304 stainless steel alloy 18-8. Frame full front shall be formed seamless with mitered corners welded and polished and shall have gently radiused edges to provide added strength and complimentary appearance for modern washroom aesthetics. All exposed surfaces shall be satin finish. Mirror shall be warranted for 15 years against silver spoilage. All edges of mirror shall be protected with friction and chafe absorbing fillers. Full size shock-absorbing water-resistant filler and full size one-piece 20 gauge corrosion protected steel shall protect back of mirror. An 18 gauge corrosion protected steel 'H' bracket shall be supplied with all required mounting hardware. Mirror shall be secured to vertical bracket with hex socket headless locking screws.

MATERIALS

Frame: 18 gauge type 304 stainless steel alloy 18-8, (.048" <1.2> thick). Unitized all welded construction. Exposed surfaces have satin finish. Edges and corners are burr free. Filler: Expanded polyethylene microcell foam sheet material, abrasion resistant and shock absorbing, water resistant, 1/8" (3.2) total layer thickness. Reflective surface shall be tempered glass.

WARRANTY

One year.

INSTALLATION

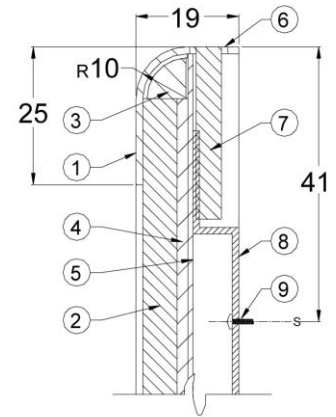
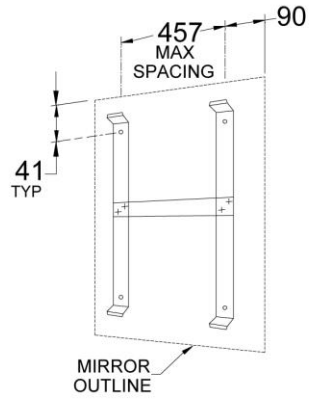
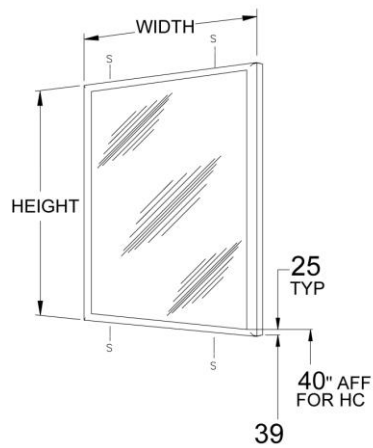
Install bracket level and plumb as per diagram location using № 10 x 1" (M5 x 25) self-tapping pan head screws (by others). Hang mirror on bracket and tighten locking screws at top & bottom. For mounting height standards refer to current Building Code of Australia for able bodied and/or disabled use.

Angle Framed Mirror with Tempered Glass shall be Model No. 10-20650-B as supplied by ASI JD MacDONald.

Code	Width	Height
10-20650-B1830	460mm	760mm
10-20650-B1836	460mm	910mm
10-20650-B2436	610mm	910mm

Note: Only available in the sizes listed in the above sizing table

Angle Framed Mirror with Tempered Glass Model No. 10-20650-B



DESCRIPTION

1. 18 gauge stainless steel frame
2. 6mm plate glass mirror
3. Shock-absorbing edge cushion
4. Non-absorbent filler
5. 20 gauge corrosion protected steel back
6. Mounting nut
7. Tamperproof mounting & locking screws 10-32 X 32mm
8. Hanger bracket -18 gauge
9. Installation screw - furnished by installer