



SPECIFICATION

Royal™ Collection Surface Mounted Paper Towel Dispenser and Waste Receptacle unit shall hold and dispense 800 standard multi-fold or 600 standard C-fold paper towels and shall have a waste capacity of 56 litres. Cabinet full door shall be drawn seamless and shall have bowed front face and gently radiused edges to provide added strength and complimentary appearance for modern washroom aesthetics. Door and waste receptacle shall be 18 gauge type 304 stainless steel alloy 18-8. Towel dispenser, frame, cabinet and SM collar shall be 22 gauge type 304 stainless steel alloy 18-8. All exposed surfaces shall be satin finish and be protected during shipment with PVC film easily removable after installation. Towel dispensing slot shall have a fully hemmed-in rolled edge for snag-free dispensing and user safety. Door shall be attached to cabinet at side with a full-length 1/8" diameter (Ø3.1) stainless steel multi-staked piano hinge and be held closed with a flush rimless tumbler lock keyed alike to other ASI JD MacDonald washroom equipment. Internally concealed doorstop shall prevent over-swing when opened rapidly. Waste receptacle with internal bag-hanger hooks shall have a fully hemmed top edge for safety and a rear handle for service ease and is retained by a tumbler lock keyed alike to other ASI JD MacDonald washroom equipment. Face trim shall be 25mm wide formed from one piece with no miters, welding or open seams and have 3mm radiused return to collar. Structural assembly of body and door components shall be of welded construction. Cabinet shall have no exposed fastening devices or spot-welded seams. Unit shall be supplied with collar for surface mounting.

INSTALLATION

Surface mount unit on wall using №10 self-tapping flat head screws (by others) through concealed mounting holes provided. Surface mounting collar is installed on cabinet prior to mounting on wall following procedure as described on Surface Mounting Collar data sheet. For mounting height standards refer to current Building Code of Australia for able bodied and/or disabled use.

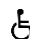
OPERATION

Towels are self-feeding upon user manual demand until supply is depleted. Unit may be reloaded with a partial load in-place and will continue to feed properly. Towels are replenished and waste bin is emptied manually on a cycle determined by maintenance needs. Locked door and waste bin prevents unauthorized access or removal.

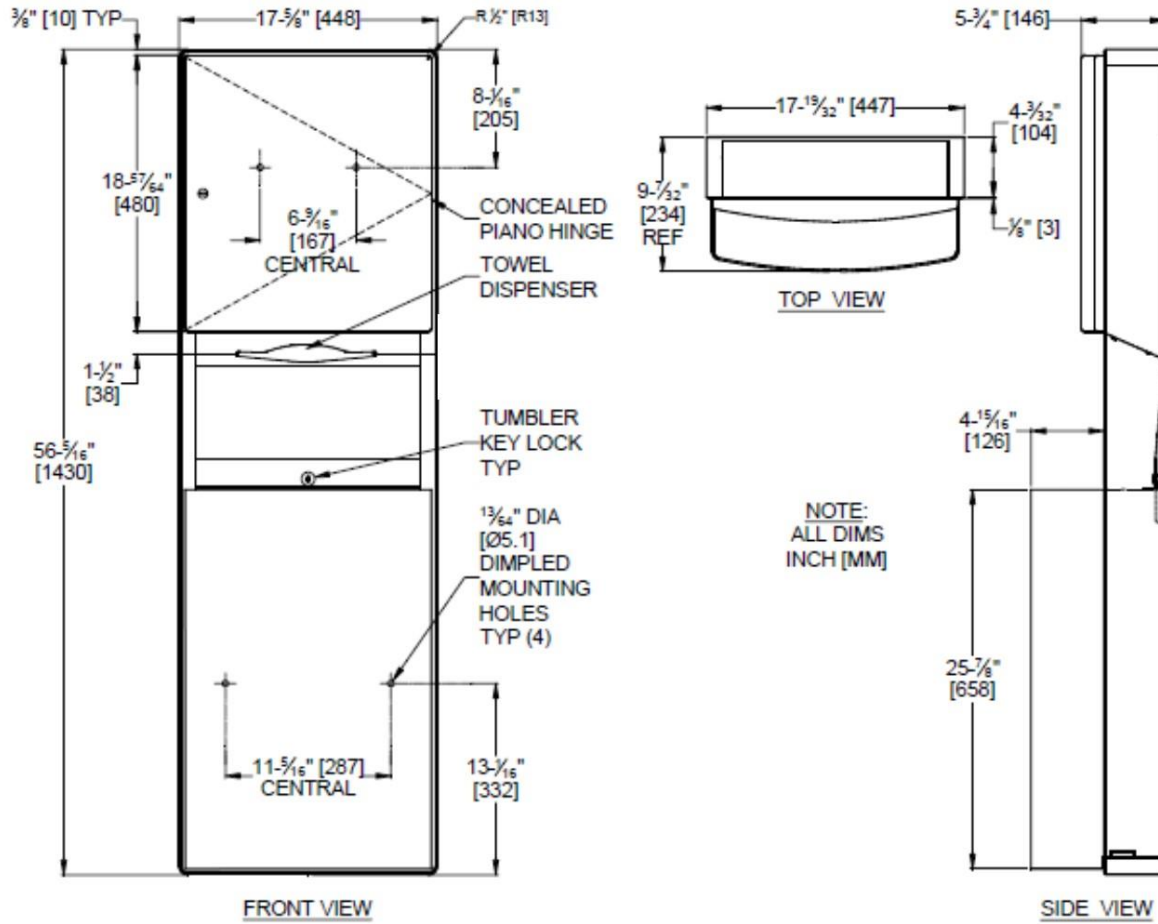
WARRANTY

One year.

Surface Mount Paper Towel Dispenser & Waste Bin shall be Model No. 10-20469-9 as supplied by ASI JD MacDonald.

 All ASI JD MacDonald disabled compliant products when installed must be in accordance with AS1428 to ensure the specified product is complying with all washroom specification requirements.

**Surface Mount
Paper Towel Dispenser & Waste Bin
Model No. 10-20469-9**



ASI JD MacDonald reserves the right to, and does from time to time, make changes and improvements in design and dimensions. The photographs and line drawings of the products in this flyer are representational only. All dimensions are in millimetres unless otherwise stated.