



SPECIFICATION

Surface Mounted Vertical Soap Dispenser shall hold 1.7 L of liquid soaps having a pH in range 7 ± 1.5 and viscosity in range 1–5500 cP (MPa•s). Soaps containing reportable salts, chlorides and alcohols should be avoided. Dispenser shall be 20 gauge type 304 stainless steel alloy 18-8. All exposed surfaces shall be satin finish. Valve shall be constructed of a plastic valve body and push button with stainless steel and plastic internal parts. Valve operation shall require no grasping or twisting by operator. A tamper resistant sight gauge shall be provided. Unit shall have a hinged stain-less steel refill door on top of unit, which is opened with special key provided.

INSTALLATION

Secure concealed mounting plate (supplied) to wall or partition using three (3) pan head self-threading screws № 8 x 3/4" (M4.5 x 20) (by others) through mounting holes provided in plate into plastic wall anchors or other suitable mounting system (provided by others). Secure unit to interlocking wedge bracket and locked in place by a locking screw (supplied) installed through hinged refill door. Fill tank with appropriate viscosity soap to correct level and lock door. Locking door protects soap from inadvertent introduction of contaminants. Retain key provided for future access. For mounting height standards refer to current Building Code of Australia for able bodied and/or disabled use

SOAP REQUIREMENTS

Proper usage of this dispenser requires, that only soap within the following range for viscosity and pH may be used:

- Viscosity Range (mPa•s or cP): 1 – 5500
- pH Range: 5.5 – 8.5

OPERATION

Push button to dispense soap. Unit is refilled through hinged door at top requiring special key (supplied) to open. Soap tank will continue to feed properly until soap level is below valve intake port. Tank supply is replenished manually on cycle determined by maintenance needs.

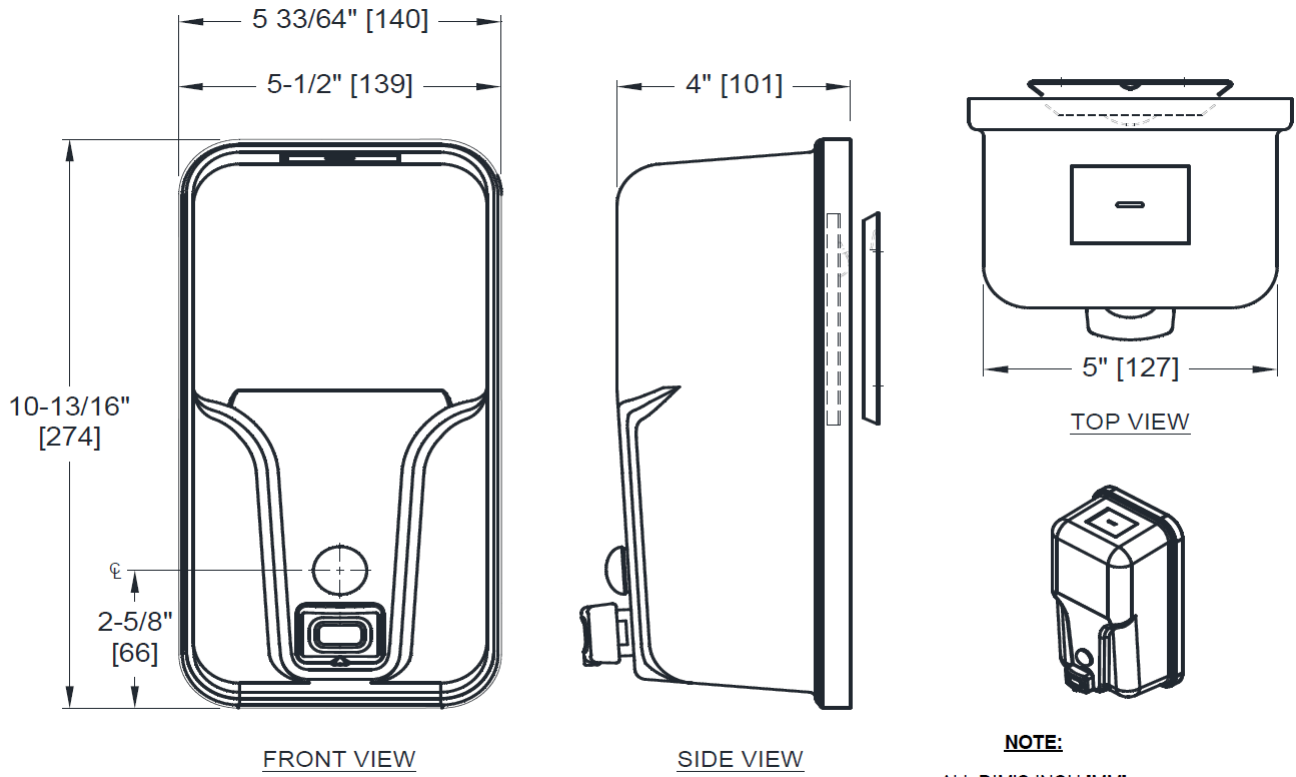
WARRANTY & PRODUCT LIABILITY

One year.

Surface Mounted Vertical Soap Dispenser shall be Model No. 10-20363 as supplied by ASI JD MacDonald.



All ASI JD MacDonald accessible compliant products when installed must be in accordance with AS1428 to ensure the specified product is complying with all washroom specification requirements.



ASI JD MacDonald reserves the right to, and does from time to time, make changes and improvements in design and dimensions. The photographs and line drawings of the products in this flyer are representational only. All dimensions are in millimetres.