



FEATURES

Royal™ Collection Surface Mounted Hand Dryer operates automatically from IR sensors that activate dryer when hands are placed in sensor zone. Ready-status LED lights in hand drying chamber turn soothing blue when activated. Cabinet main panel shall be seamless and shall have bowed front face, gently radiused edges and internal reinforcing ribs to provide added strength and complimentary appearance for modern washroom aesthetics and shall be moulded in one piece of 3mm thick ABS. All exposed main panel surfaces shall have a satin finish with appearance of stainless steel or white. Hand chamber, filter drawer and cabinet back shall be black or white in same grade. All housing parts shall be permanently treated with antimicrobial Ag+ Ions. Cabinet back steel plates mount flush against wall and shall have concealed pin-hex security screws to retain unit. Motor and heating element shall have internal resetting automatic thermal protection. Fixed directional air nozzles shall be heavy duty, rust proof and tamper resistant. Air intake slots shall not allow access to internal parts. Ceramic water evaporator plate shall be provided integral with cabinet styling. Drip prevention tray shall be provided with drain port for optional waste line (not supplied) concealed mounted under filter drawer. Concealed HEPA antibacterial triple filter (HEPA {H12}, Activated Charcoal and Anti-Microbial layers) will remove particles as small as 0.3 micro-meters [0.3 µm (Ø 0.0001")] and shall prevent recycling of contaminated air. Circuitry shall have self-adjusting time-out and fail-safe off protection controlled by a microprocessor that shall detect and reject false signals and shall automatically self-calibrate to provide uniform sensitivity over its entire life span. Entire unit shall be internally electrically grounded. Complete Owner's Manual & Installation Guide (OM & IG) shall be provided with each unit.

*We recommend changing the Super Filter every 6 months based on normal use (for dusty and extremely heavy use we recommend changing the Super Filter every 3 months. The part number for the Super Filter is: 10-A0194

INSTALLATION

Electrical connection by cord & plug (as supplied). Can be direct wired by an electrician. Refer to Operating Instructions and Part Manual for detailed instructions.

OPERATION

User activates dryer by placing hands into open hand chamber. LED's change colour from amber ready-status to soothing blue to indicate operation. Directional air jets from top blow water droplets off hands onto evaporator plate. Dryer automatically shuts off after time-out (Hold-On) when user removes hands from sensor zone or after 60 seconds if unit is purposefully kept operating for longer than normal drying time (e.g. washroom experimentation, vandalism). Owner may choose to set heater on or off with concealed switch for increased economy based upon 800 Watt operating reduction or may choose to vary/reduce heat output with concealed control between 400 Watts and 800 Watts for user comfort level. Evaporator plate allows atomized droplets to return to vapour state without dripping on floor or back wall behind and below unit. Drip tray prevents excessive waste water from draining onto floor under unit in very heavy usage settings or in high-humidity environments. Security locking screw concealed under filter access drawer prevents unauthorized tampering and protects asset. Triple-Filter element removes airborne solid particles and is changed manually by owner on cycle determined by maintenance requirements.

FINISH

Unit is supplied in white or silver finish:

MODEL	COVER	FINISH
10-20201-2	3mm thick moulded ABS plastic	White
10-20200-2	3mm thick moulded ABS plastic	Silver (Grey)

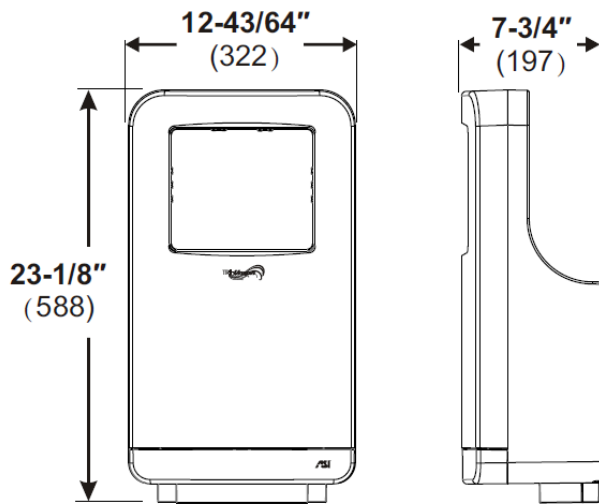
SPECIFICATION

- Electrical Supply: AC, 220-240V 50/60Hz, 1500 Watt, 5-7A
- Motor: 700 Watt, Brush Type, Dual Ball Bearings
- RPM: 14,000 – 18,000 (adjustable)
- Element: 400 - 800 Watt (adjustable)
- Air Speed: 234 – 343 km/hr (adjustable)
- Noise Level: 63.3 – 69.2 dB-A @2M
- Drying Time: Approx. 12 seconds
- Weight: 10.8kg (Shipping 12.8kg)
- Electrical Safety Requirements: AS/NZS 60335.2.23:2004
- Protection Category: IP21

WARRANTY

5 years (first year parts & labour, remaining 4 years parts only). Please refer to our website to view our full warranty statement: www.asijdmacdonald.com.au

Tri-Umph™ High-Speed Hand Dryer shall be Model No. 10-20201-2 or 10-20200-2 as manufactured by ASI JD MacDonal.



NOTE
 ALL DIMS
 INCH [MM]

RECOMMENDED INSTALLATION HEIGHTS*	
Men's washroom	1150mm
Women's washroom	1080mm
Children's washroom ages 4-7	780mm
Children's washroom ages 8-10	880mm
Children's washroom ages 11-13	965mm
Children's washroom ages 14-16	1080mm

*Above Finished Floor from top of hand drying chamber

ASI JD MacDonal reserves the right to, and does from time to time, make changes and improvements in design and dimensions. The photographs and line drawings of the products in this flyer are representational only. All dimensions are in millimetres unless otherwise stated.