



SPECIFICATION

Roval™ Collection Surface Mounted Twin Hide-A-Roll Toilet Paper Dispenser shall hold and dispense two (2) standard or two (2) 33mm Dia 1800 sheet tissue rolls and shall have dispensing mechanism guide tracks of 20 gage [1.1mm] type 304 stainless steel alloy 18-8. Cabinet full door shall be drawn seamless and shall have bowed front face and gently radiused edges to provide added strength and complimentary appearance for modern washroom aesthetics. Cabinet body, door and doorframe shall be 22 gage [0,8mm] 304 stainless steel. All exposed surfaces shall be satin finish and be protected during shipment with PVC film easily removable after installation. Internal mechanism levers shall be molded high-impact resistant plastic for smooth operation. Structural assembly of body and door components shall be of welded construction. Door hinges shall be heavy-duty stainless steel 4.8mm Dia rivets. Door shall be held closed with a recessed tumbler lock keyed alike to other ASI washroom equipment. Cabinet shall include two (2) theft and vandal resistant rollers (p/n R-004) that are molded high-impact resistant plastic with integral plated steel endpins.

INSTALLATION

Surface mount unit on wall or partition using four (4) 1/4" x 1" [M6 x 25] Philips pan-head self-threading screws (provided by others) through slots on rear wall into suitable wall preparation (by others). Top two (2) mounting holes through back are keyhole slots for ease in hanging unit on pre-installed screws. Bottom two (2) mounting holes are horizontal slots for ease of adjustment. For mounting height standards refer to current Building Code of Australia for able bodied and/or disabled use.


WARRANTY

One year.

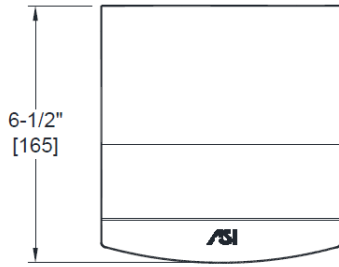
OPERATION

Reloading instructions are printed on graphic label inside door. Bottom roll is depleted prior to top roll automatically dropping into lower position for use. Empty rollers cannot be removed without key unlocking door.

Roval Collection™ Surface Mounted Twin Hide-A-Roll Toilet Paper Dispenser shall be Model No. 10-20030 as supplied by ASI JD MacDonald.

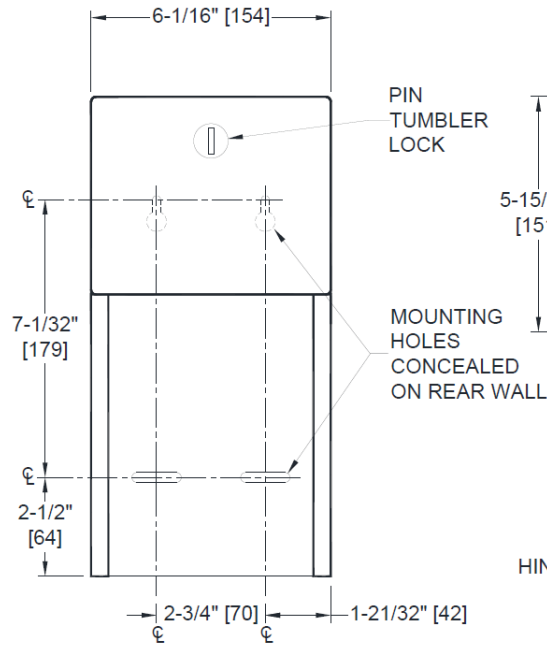
 All ASI JD MacDonald disabled compliant products when installed must be in accordance with AS1428 to ensure the specified product is complying with all washroom specification requirements.

Royal™ Collection
Surface Mounted Twin Hide-A-Roll
Toilet Paper Dispenser
Model No. 10-20030

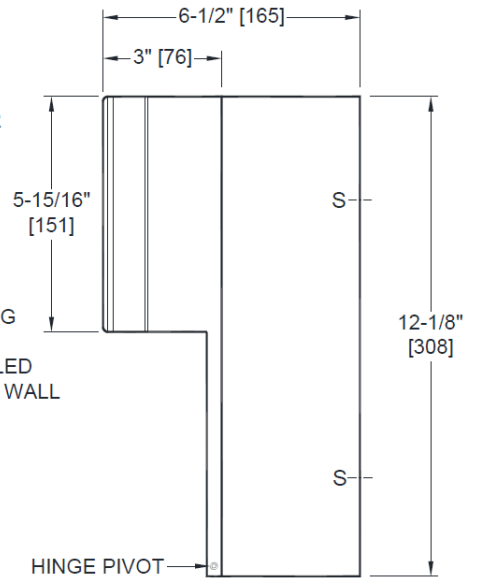


TOP VIEW

NOTE
 ALL DIM'S INCH [MM]



FRONT VIEW



SIDE VIEW

ASI JD MacDonald reserves the right to, and does from time to time, make changes and improvements in design and dimensions. The photographs and line drawings of the products in this flyer are representational only. All dimensions are in millimetres unless otherwise stated.