



SPECIFICATION

Surface Mounted Security Framed Mirror shall have frame fabricated of 14 gauge alloy 18-8 stainless steel, type 304. Structural assembly of frame components shall be of welded construction with six (6) mounting holes. All exposed surfaces shall be No 4 satin finish and be protected during shipment with a PVC film easily removable after installation. Mirror glazing will be as specified in the Glazing Options chart. Unit will be provided with fiberboard backing.

INSTALLATION

Unit is surface mounted to wall or partition using six (6) ¼-20x2” (o6.4x50mm) long pin-Torx head machine screws (supplied) into suitable anchors (by others) or alternate wall preparation (by others). Suggested mounting height for general service is (1880mm) maximum above finished floor (MAX AFF) to top of frame.

GLAZING OPTION

Specify glazing option from chart below by adding code suffix to model number (e.g. 10-105-14).

Suffix	Material	Finish	Image Quality
13	¼” thick tempered glass	Polished mirror	Excellent
14	20 gauge type 304 stainless steel	No 8 mirror polish	Good
17	¼” thick Plexiglas	Polished mirror	Excellent
31	22 gauge steel	Chrome plated	Good

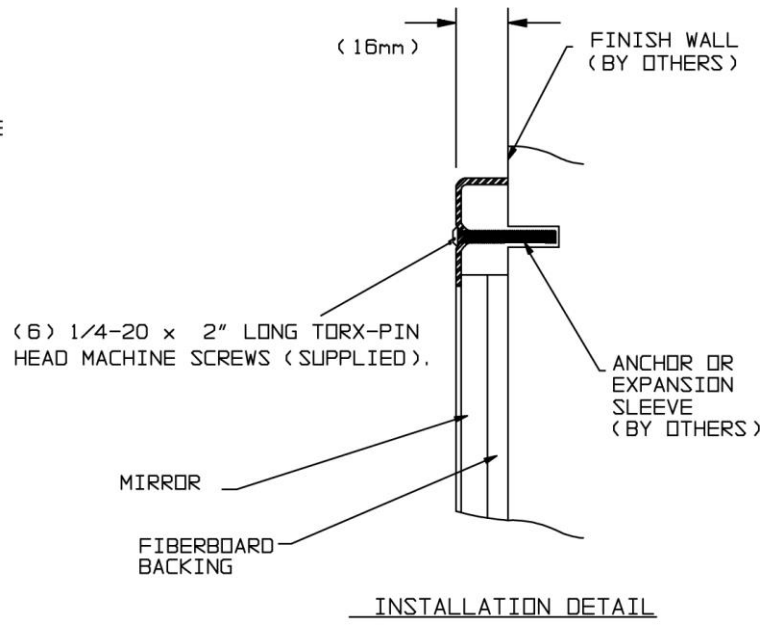
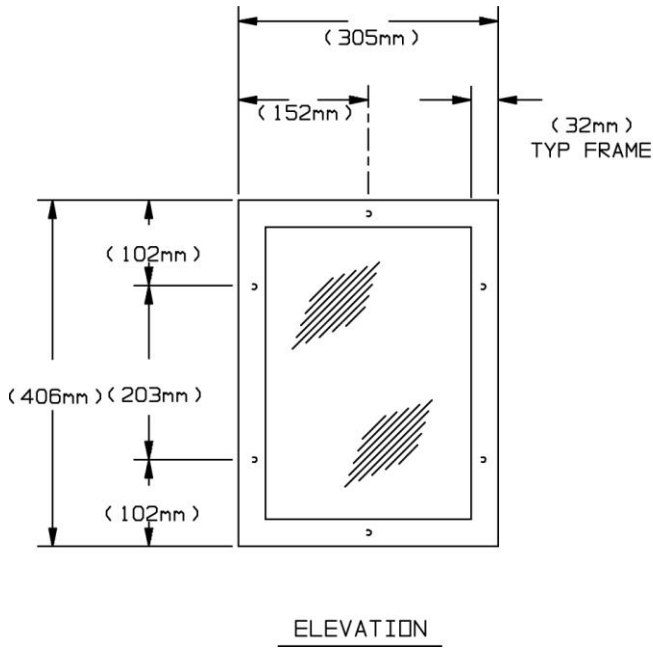
WARRANTY

One year.

Surface Mounted Security Framed Mirror shall be Model No 10-105 as supplied by ASI JD MacDonald.

♿ All ASI JD MacDonald disabled compliant products when installed must be in accordance with AS1428 to ensure the specified product is complying with all washroom specification requirements.

**Surface Mounted Security
Framed Mirror
Model No. 10-105**



ASI JD MacDonald reserves the right to, and does from time to time, make changes and improvements in design and dimensions. The photographs and line drawings of the products in this flyer are representational only. All dimensions are in millimetres unless otherwise stated.

**Surface Mounted Security
Framed Mirror
Model No. 10-105**

ASI JD MacDonald reserves the right to, and does from time to time, make changes and improvements in design and dimensions. The photographs and line drawings of the products in this flyer are representational only. All dimensions are in millimetres unless otherwise stated.