



#### **SPECIFICATION**

Surface Mounted Medium Capacity Waste Receptacle shall hold 24.8 liters of dry solid waste and shall be 22 gauge type 304 stainless steel alloy 18-8. All exposed surfaces shall have a satin finish and be protected during shipment by PVC film easily removable after installation. Vertical front edges shall be rounded to 13mm radius for passer-by safety. Unit shall have no exposed fastening devices or spot welded seams and shall have hemmed top lip for user safety. Receptacle shall have four (4) interior hooks for hanging a reusable heavy gauge vinyl liner bag with grommets (10-28-PY). Receptacle shall be screw mounted to wall through keyhole slots on back of unit and shall be theft resistant after installation of concealed locking screw.

#### **INSTALLATION**

Hang unit on preinstalled four (4) screws (by others) on wall through the mounting keyhole slots. Install and fasten theft-resistant screw (by others) to wall through top middle hole of receptacle. For mounting height standards refer to current Building Code of Australia for able bodied and/or disabled use.

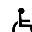
#### **OPERATION**

User deposits waste material. Maintenance schedule determines trash removal cycle. Unit is emptied by removing collection liner bag to empty into appropriate bulk collection bin. Liner (10-28-PY available separately) is washable and reusable and replacements are available should they be required.

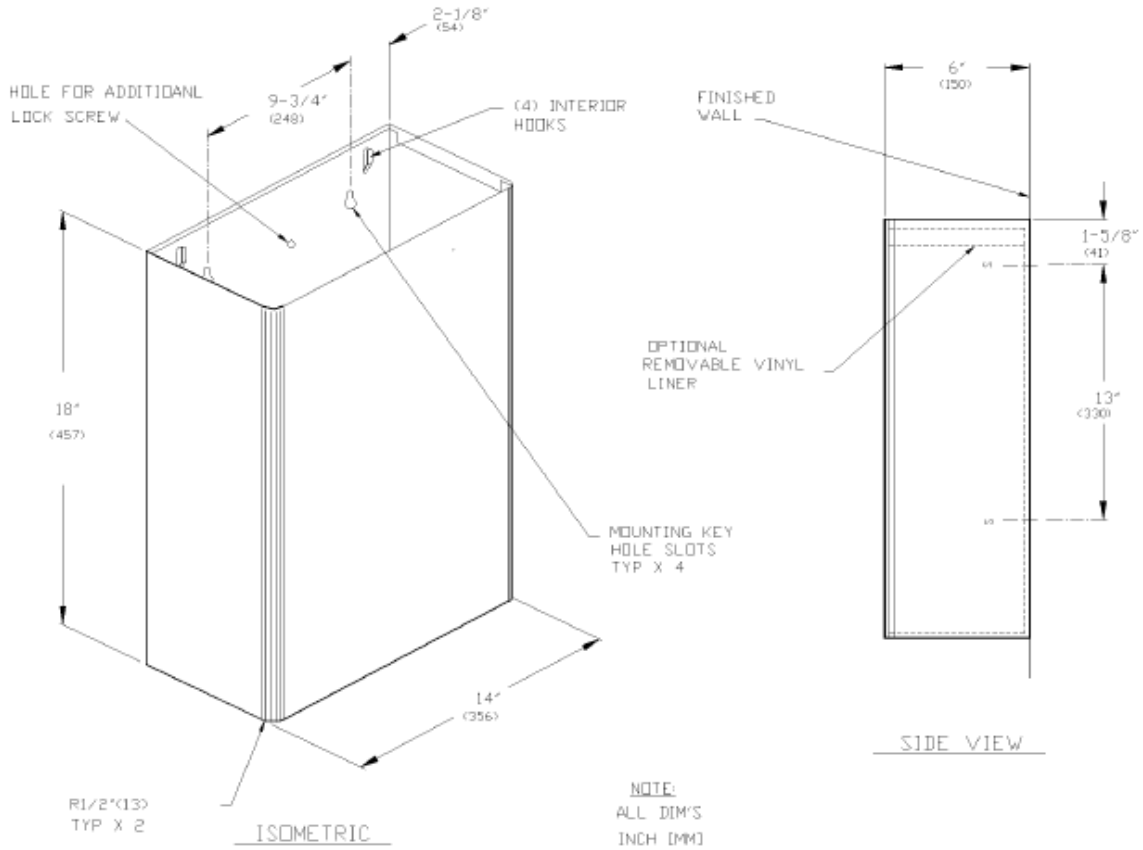
#### **WARRANTY**

One year.

**Surface Mounted Medium Capacity Waste Bin** shall be Model No. 10-0828 as supplied by ASI JD MacDonald.

 All ASI JD MacDonald disabled compliant products when installed must be in accordance with AS1428 to ensure the specified product is complying with all washroom specification requirements.

# Surface Mounted Medium Capacity Waste Bin Model No. 10-0828



ASI JD MacDonald reserves the right to, and does from time to time, make changes and improvements in design and dimensions. The photographs and line drawings of the products in this flyer are representational only. All dimensions are in millimetres unless otherwise stated.