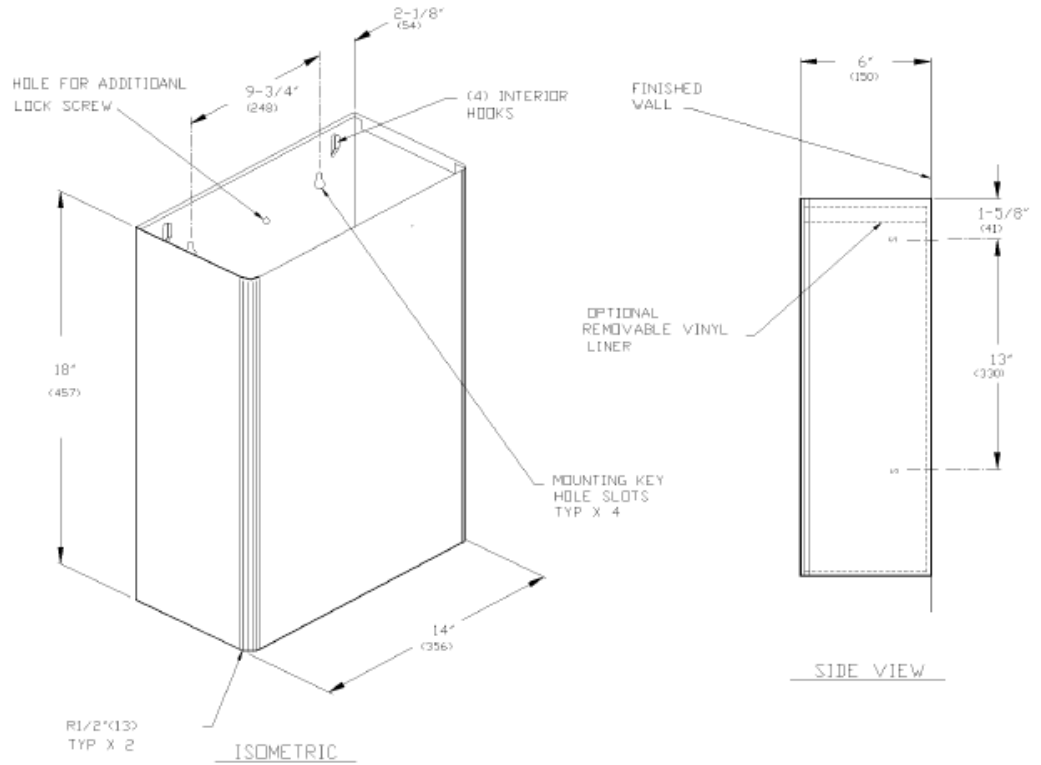


**WASTE BIN 25L, SURFACE MOUNTED – TRADITIONAL COLLECTION**

*Waste Bins*



**NOTE:**  
ALL DIM'S INCH [MM]

Scan for information



**PRODUCT OVERVIEW**

Surface Mounted Medium Capacity Waste Receptacle shall hold 24.8 litres of dry solid waste and shall be 22 gauge type 304 stainless steel alloy 18-8. All exposed surfaces shall have a satin or matte black finish and be protected during shipment by PVC film easily removable after installation. Vertical front edges shall be rounded to 13mm radius for passer-by safety. Unit shall have no exposed fastening devices or spot welded seams and shall have hemmed top lip for user safety. Receptacle shall have four (4) interior hooks for hanging a reusable heavy gauge vinyl liner bag with grommets (10-28-PY). Receptacle shall be screw mounted to wall through keyhole slots on back of unit and shall be theft resistant after installation of concealed locking screw.

**KEY FEATURES & SPECIFICATIONS**

- Satin or matte black finish 22 gauge stainless steel.
- Hemmed top and bottom edges for safety.
- Receptacle has 4 interior hooks for hanging a reusable heavy gauge vinyl liner bag with grommets (10-28-PY purchased separately).
- Waste capacity of 24.8 L.

**OPERATION & MAINTENANCE**

User deposits waste material. Maintenance schedule determines trash removal cycle. Unit is emptied by removing collection liner bag to empty into appropriate bulk collection bin. Liner (10-28-PY available separately) is washable and reusable and replacements are available should they be required.

**TECHNICAL INFORMATION / PRODUCT PROPERTIES**

Property	Value
Dimensions	356 x 457 x 150 mm
Construction	22 gauge type 304 stainless steel alloy 18-8; or 22 gauge type 304 Matte Black powder coat 18-8
Mounting	Surface Mounted
Standard	Unit shall satisfy Australian Standard 1428.1

**INSTALLATION**

Hang unit on preinstalled four (4) screws (by others) on wall through the mounting keyhole slots. Install and fasten theft-resistant screw (by others) to wall through top middle hole of receptacle. For mounting height standards refer to current Building Code of Australia for able bodied and/or disabled use.

**WARRANTY**

One year.