

**INSTALLATION GUIDE: VELARE™ COLLECTION BTM FILLER MODULE, 375MM (PG 1 OF 2)**

**IMPORTANT: READ THESE INSTRUCTIONS COMPLETELY PRIOR TO BEGINNING INSTALLATION. SAVE FOR FUTURE REFERENCE.**

**INSTALLATION OF MOUNTING HARDWARE**

Appropriate wall reinforcement must be prepared prior to initiating the Velare™ BTM System installation. Install the mounting plate on wall using six (6) № 12 self-threading, pan-head screws (by others) ( Fig. 1) into appropriate anchoring and wall reinforcements (Fig. 2). Hang cabinet on wall mounting hanger hook (Fig. 3). Suggested mounting height is to position bottom of module 406 to 508mm above vanity top so bottom aligns with Model №'s 0661-X or 0663-X on either side of Filler Module (Fig. 4). Install two (2) №12 self-tapping locking screws (by others) into appropriate anchoring to prevent unit from being lifted off hanger hooks (Fig. 2).

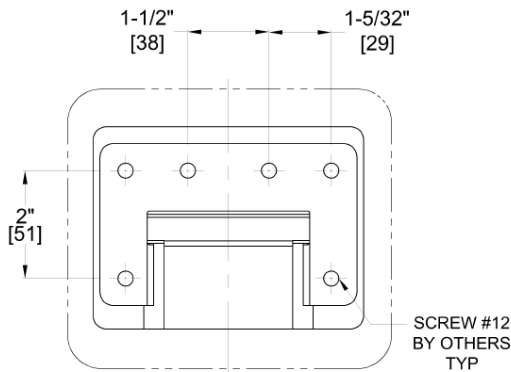


FIG. 1

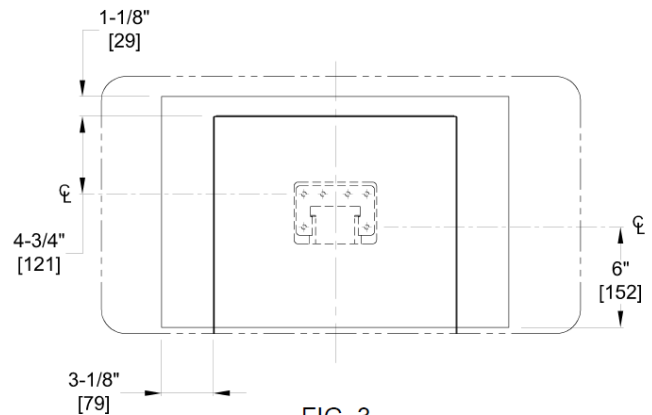


FIG. 3

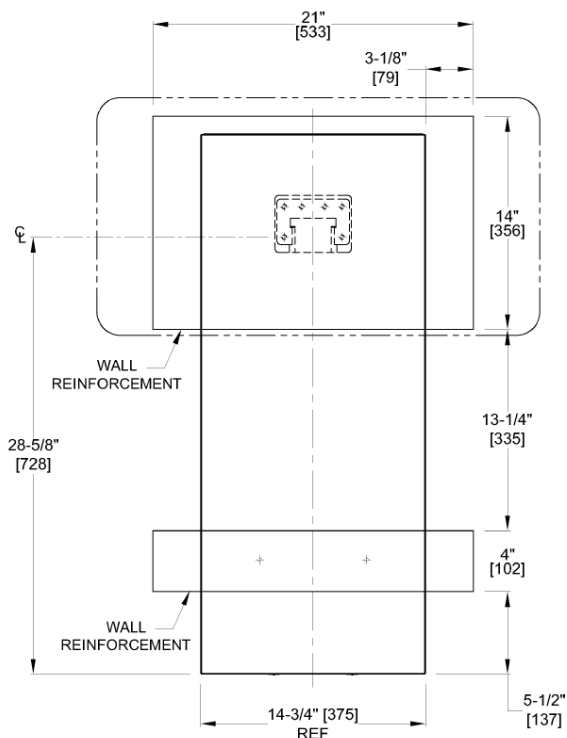


FIG. 2

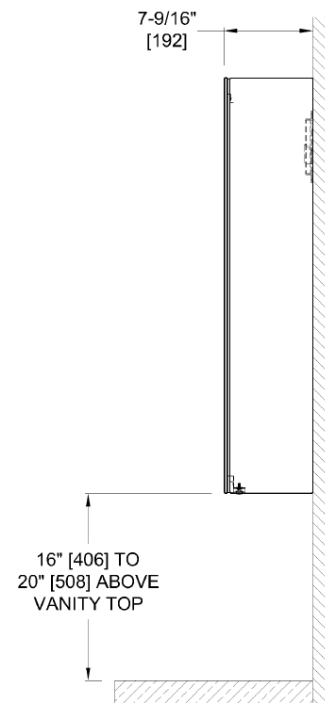


FIG. 4

**MIRROR DOOR SET UP**

Position mirror in front of cabinet and insert top and bottom rear tabs into receiver-slots. (Fig. 5) Secure mirror with two (2) № 10-32 x 1/2" Hex Socket Cap screws with lock washer and flat washer (provided) (Fig. 7) to the bottom mirror mounting brackets through the bottom access holes by engaging and securing to threaded inserts provided on bottom mirror rear mounting tabs (Fig. 6). Cover the screw access holes using the two (2) black plastic hole caps (supplied).

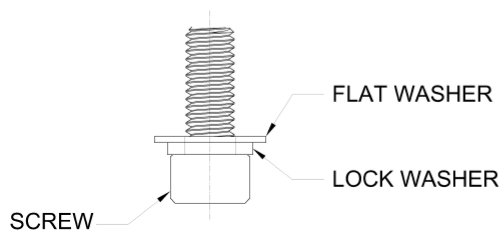
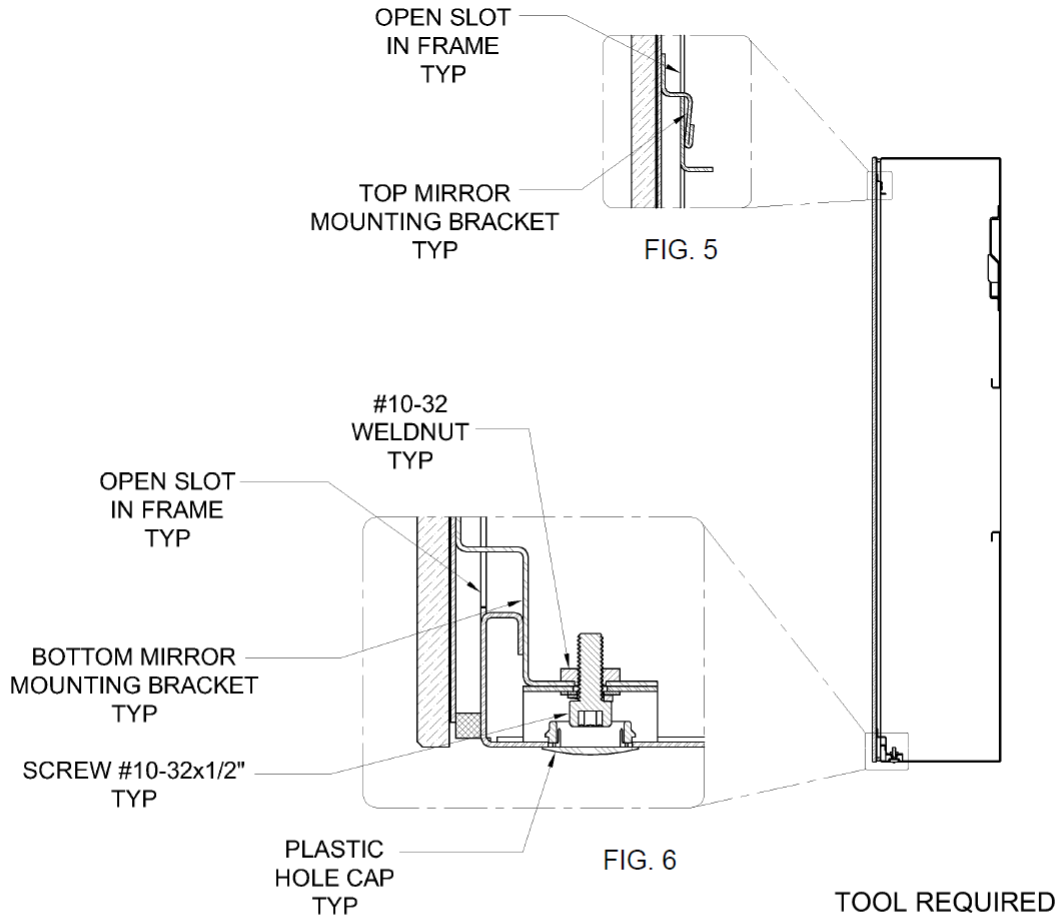


FIG. 7

