



**SPECIFICATION**

Inter-lok Framed Mirror shall have frame fabricated of alloy 18-8 stainless steel, grade 304, 18 gauge with mitred corners welded and polished. All exposed surfaces shall be No. 4 satin finish. Mirror glazing shall be warranted for 15 years against silver spoilage. All edges of mirror shall be protected with friction and chafe absorbing fillers. Back of mirror shall be protected by full size shock-absorbing water-resistant filler and full size one piece 20 gauge corrosion protected steel. 18 gauge corrosion protected steel 'H' bracket shall be supplied with all required mounting hardware. Mirror shall be secured to vertical bracket with Allen head locking screws.

**MATERIALS**

Frame: alloy 18-8 stainless steel, grade 304, 18 gauge. Unitized all welded construction. Exposed surfaces have satin finish. Edges and corners are burr free. All Glaze mirrors are warranted against silver spoilage for 15 years. Filler: Expanded polyethylene microcell foam sheet material, abrasion resistant and shock absorbing, water resistant, 3mm total layer thickness.

**INSTALLATION**

Install bracket level and plumb as per diagram location using No. 10 self tapping screws (supplied by others). Hang mirror on bracket and tighten locking screws at top and bottom. For mounting height standards refer to current Building Code of Australia for able bodied and/or disabled use.

**OPTIONAL REFLECTIVE SURFACES**

Suffix Description:


- B Tempered glass 6mm polished tempered glass.
- C Stainless steel mirrors grade 304 stainless steel polished to No. 8 mirror finish.
- D Lexan Dura-Mir™ Fabricated of 6mm polycarbonate sheet.
- E Plexiglas® 6mm acrylic plastic, lightweight and shatter resistant.
- L Laminated glass 6mm thick.

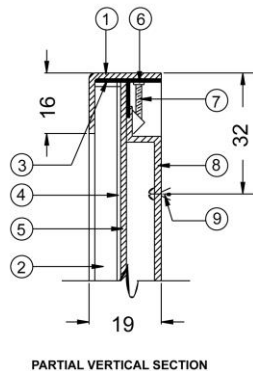
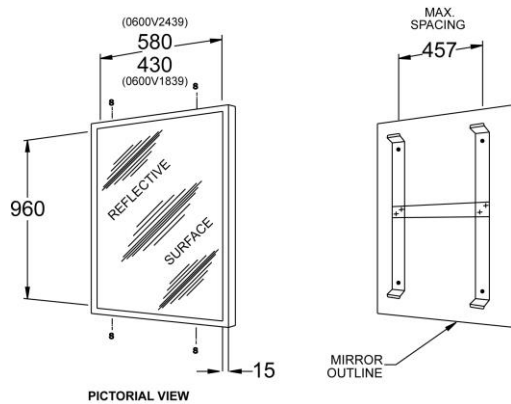
All standard supplied ASI JD MacDonald mirrors have a super "V" Vinyl backing as an alternative to laminate or tempered glass.

**Inter-lok Framed Mirror** shall be Model No. 10-0600-V1839 (overall size: 460mm wide x 990mm high) or Model No. 10-0600-V2439 (overall size: 610mm wide x 990mm high) as supplied by ASI JD MacDonald.

**WARRANTY**

One year.

 All ASI JD MacDonald disabled compliant products when installed must be in accordance with AS1428 to ensure the specified product is complying with all washroom specification requirements.



**DESCRIPTION**

1. 18 gauge stainless steel frame
2. 6mm plate glass mirror
3. Shock-absorbing edge cushion
4. Non-absorbent filler
5. 20 gauge corrosion protected steel back
6. Mounting nut
7. Tamperproof mounting & locking screws 10-32 X 32mm
8. Hanger bracket -18 gauge
9. Installation screw-furnished by installer