



## SPECIFICATION

Surface Mounted Liquid Soap Dispenser shall dispense 0.4L of liquid soap, lotion or detergent having a pH in range  $7 \pm 1.5$  and viscosity in range 50-3500 cP (mPa·s). Soaps containing reportable salts, chlorides and alcohols should be avoided. Housing shall be type 304 stainless steel alloy 18-8. Housing shall have four (4) top to bottom viewing slots and shall hold a removable plastic globe. Filler cap shall be chrome plated die-cast Zinc and be chained to housing. Valve shall be chrome-plated brass body with stainless steel and plastic internal parts. All exposed metal surfaces shall be bright finish.

## INSTALLATION

Unit is secured to a concealed (tamper resistant) wall plate which is surface mounted to wall or partition using No. 10 pan head self-threading screws (supplied). For mounting height standards refer to current Building Code of Australia for able bodied and/or disabled use.

## SOAP REQUIREMENTS

Proper usage of this dispenser requires, that only soap within the following range for viscosity and pH may be used:

- Viscosity Range (mPa·s or cP): 50 – 3500
- pH Range: 5.5 ~ 8.5


## OPERATION

Soap is manually dispensed by depressing push button. Unit is refilled by unlocking filler cap using the service key provided. Soap will continue to feed properly until empty. Tank supply is refilled manually on cycle determined by maintenance needs.

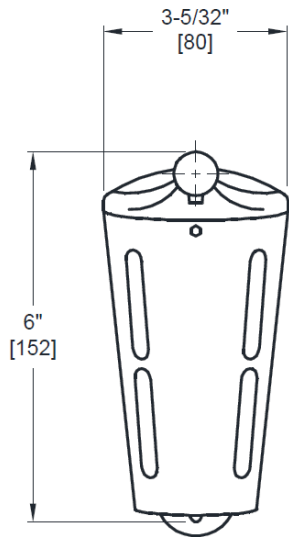
## WARRANTY

One year.

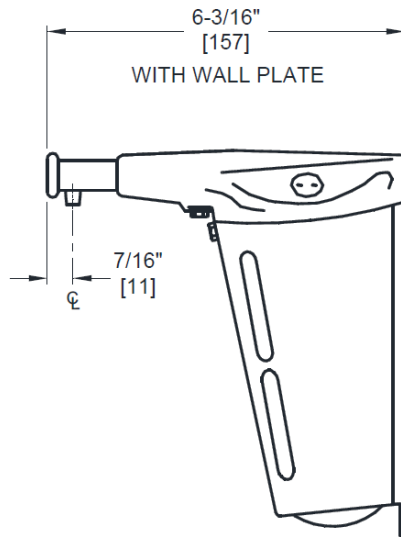
**Surface Mounted Soap Dispenser** shall be Model No. 10-0351 as supplied by ASI JD MacDonald. Model No. 10-0352 (not shown) similar to Model No. 10-0351, but dispenses lather.

 All ASI JD MacDonald disabled compliant products when installed must be in accordance with AS1428 to ensure the specified product is complying with all washroom specification requirements.

**Surface Mounted  
Soap Dispenser  
Model No. 10-0351**



FRONT VIEW



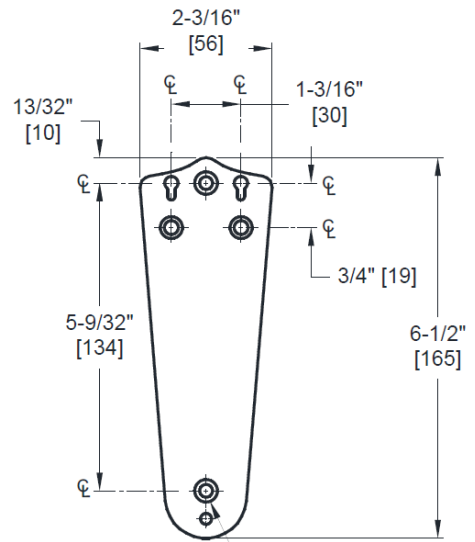
SIDE VIEW

**NOTE:**

ALL DIM'S INCH [MM]

ILLUSTRATION FOR REF ONLY AND NTS

SEE SOAP DISPENSER CARE & MAINTENANCE DOCUMENT ONLINE FOR CLEANING



4 HOLES .213" DIA [Ø5,4]  
COUNTERSUNK  
FOR #10 F.H. SCREW

MOUNTING PLATE