



SPECIFICATION

Surface Mounted Vertical Soap Dispenser shall have a capacity of 1L of liquid soaps, synthetic detergents and antibacterial soaps containing PCMX having a pH in range 7 ± 3 and viscosity in range 20–5500 cP (mPa•s). Dispenser shall be 20 gage type 304 stainless steel, alloy 18-8 and shall have a seamless liner molded of HDPE. All exposed surfaces shall be satin finish. Valve shall be a plastic valve body and push button with stainless steel and plastic internal parts. A tamper resistant sight gauge shall be provided. Unit shall have a hinged stainless steel refill door on top of unit, which is opened with special key provided.

INSTALLATION

Surface mount unit to wall or partition with a wall mounting plate (supplied) and screws (by others). Unit is secured to interlocking wedge bracket and locked in place by a locking screw (supplied) installed through hinged refill door. For mounting height standards refer to current Building Code of Australia for able bodied and/or disabled use.

SOAP REQUIREMENTS

Proper usage of this dispenser requires, that only soap within the following range for viscosity and pH may be used:

- Viscosity Range (mPa•s or cP): 20 – 5500
- pH Range: 4 – 10

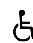
OPERATION

Push button to dispense soap. Unit is refilled through hinged door at top requiring special key (supplied) to open. Soap tank will continue to feed properly until soap level is below valve intake port. Sight gauge provides continuous level monitoring and early indication of refill to help avoid run out. Tank supply is replenished manually on cycle determined by maintenance needs.

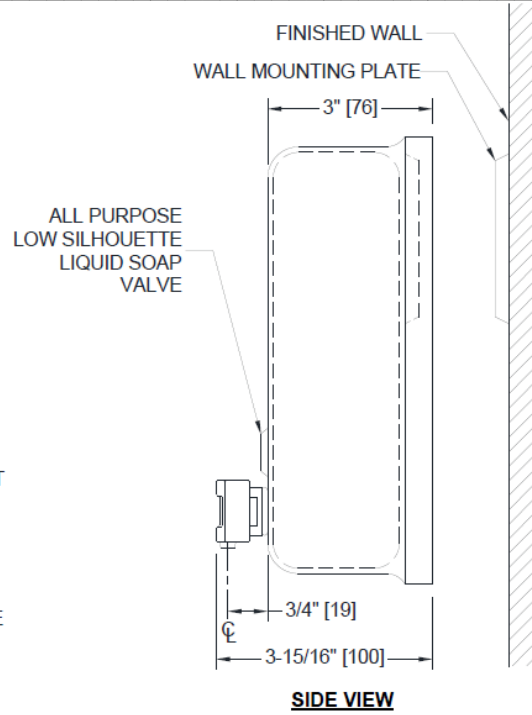
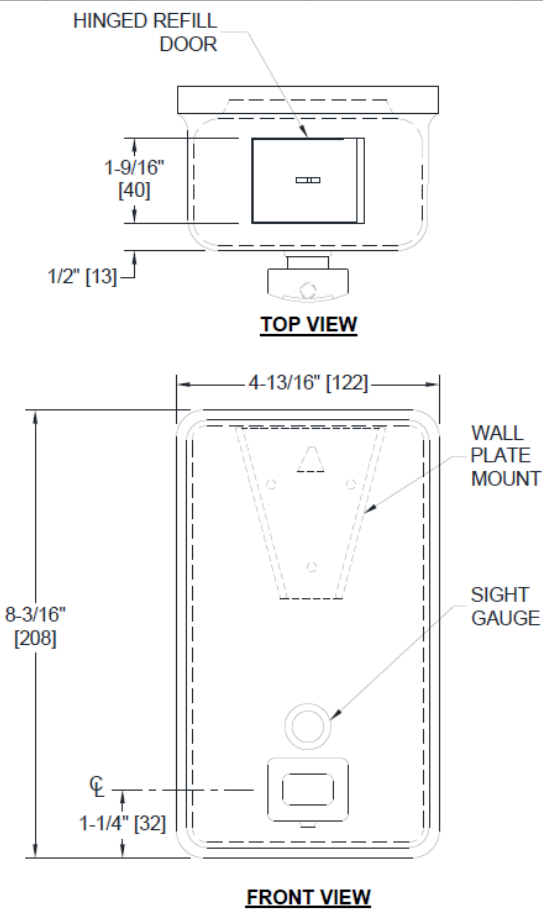
WARRANTY

One year.

Surface Mounted Vertical Soap Dispenser shall be Model No. 10-0347 as supplied by ASI JD MacDonald.

 All ASI JD MacDonald disabled compliant products when installed must be in accordance with AS1428 to ensure the specified product is complying with all washroom specification requirements.

Surface Mounted Vertical Soap Dispenser Model No. 10-0347



NOTE

ALL DIM'S INCH [MM]

ILLUSTRATION FOR REF ONLY AND NTS

SEE SOAP DISPENSER CARE & MAINTENANCE DOCUMENT
ONLINE FOR CLEANING