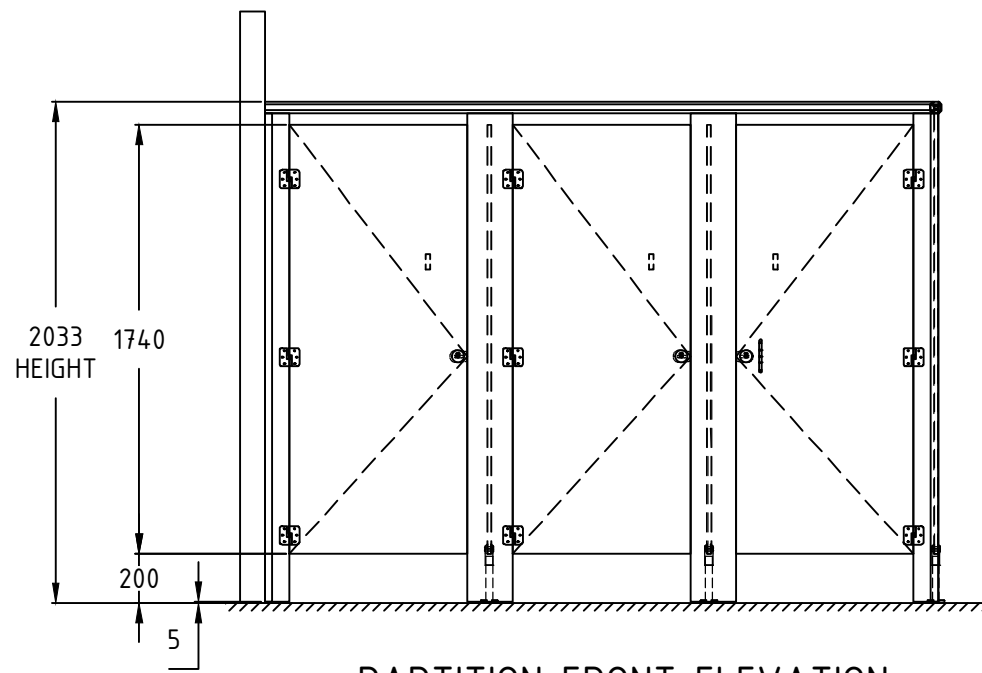
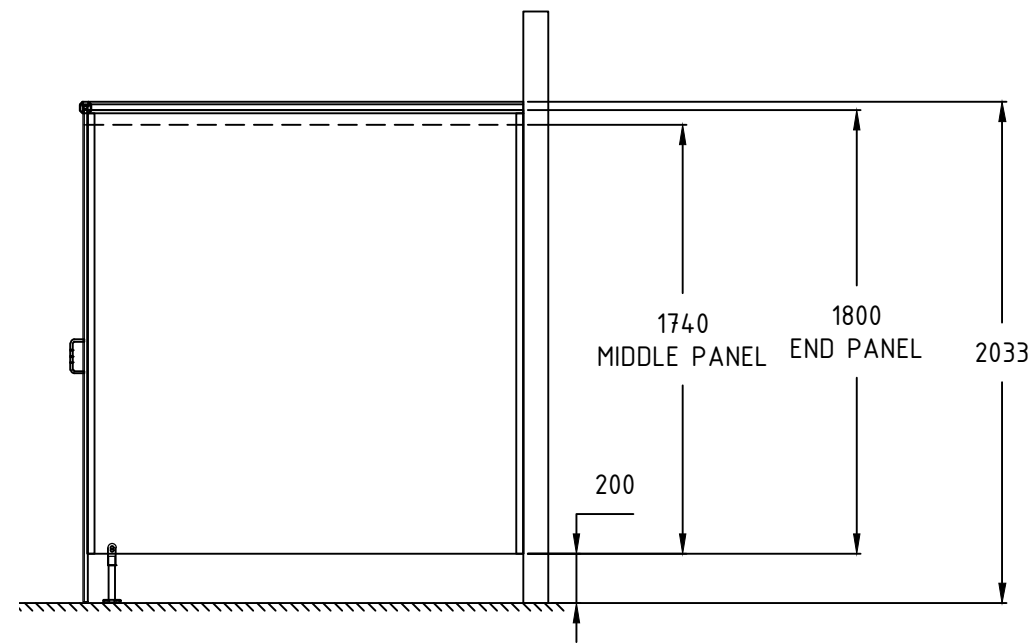


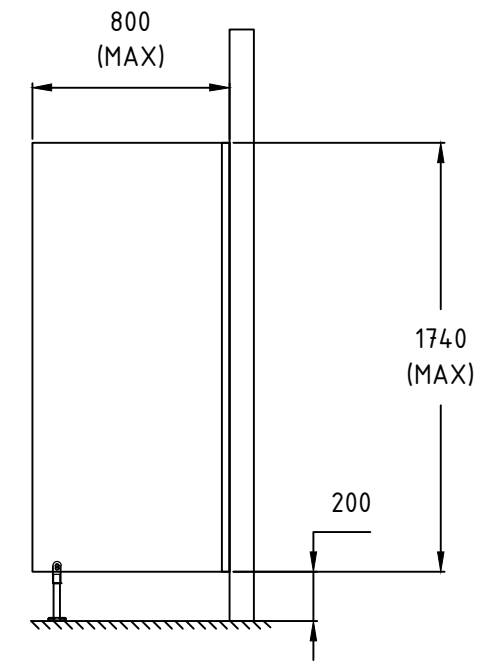
PARTITION LAYOUT



PARTITION FRONT ELEVATION



PARTITION SIDE ELEVATION



URINAL SCREEN SIDE ELEVATION

MATERIAL INFORMATION		
	MATERIAL	FINISH
DOOR	COMPACT LAMINATE - 13MM	SELECTED COLOR
FRONTAL/NIB	COMPACT LAMINATE - 13MM	SELECTED COLOR
SIDE PANELS	COMPACT LAMINATE - 13MM	SELECTED COLOR
MOUNTINGS	ALUMINIUM	NATURAL
FIXINGS	DIECAST ZINC	SATIN CHROME

ISSUE	DATE	DESIGN NOTES	DRAWN	CHECKED
A	18/01/2023	INITIAL ISSUE	RONAK	
REVISION TABLE				



 13-17 Naxos Way, Keysborough VIC 3173

REMOVE ALL BURRS, SHARP EDGES AND PROCESSING RESIDUE. DO NOT SCALE - IF IN DOUBT, ASK. ALL DIMENSIONS IN MILLIMETRES.

TOLERANCES UNLESS OTHERWISE SPECIFIED:
 UP TO 10 ±1
 OVER 10 UP TO 100 ±5
 OVER 100 ±10
 ALL ANGLES ±5°

DESIGNED: RONAK
 DRAWN: RONAK
 CHECKED: SS
 DATE: 18/JAN/2023
 AREA: N/A
 MASS: N/A

TITLE: ASI JDMACDONALD
 13-17 NAXOS WAY KEYSBOROUGH VIC 3173
 TRANQUILITY - COMPACT LAMINATE
 FLOOR MOUNTED OVERHEAD BRACED-TD
 SCALE: NTS
 DRG. NO: PTN-TRFMT-01
 SHEET: 01 OF 01
A3