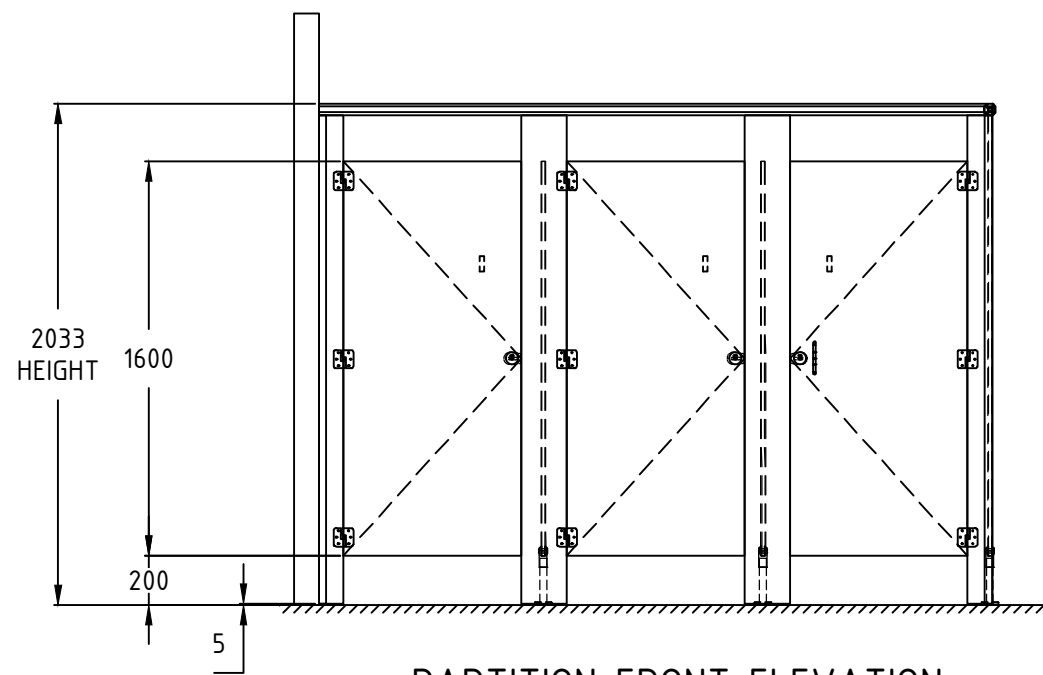
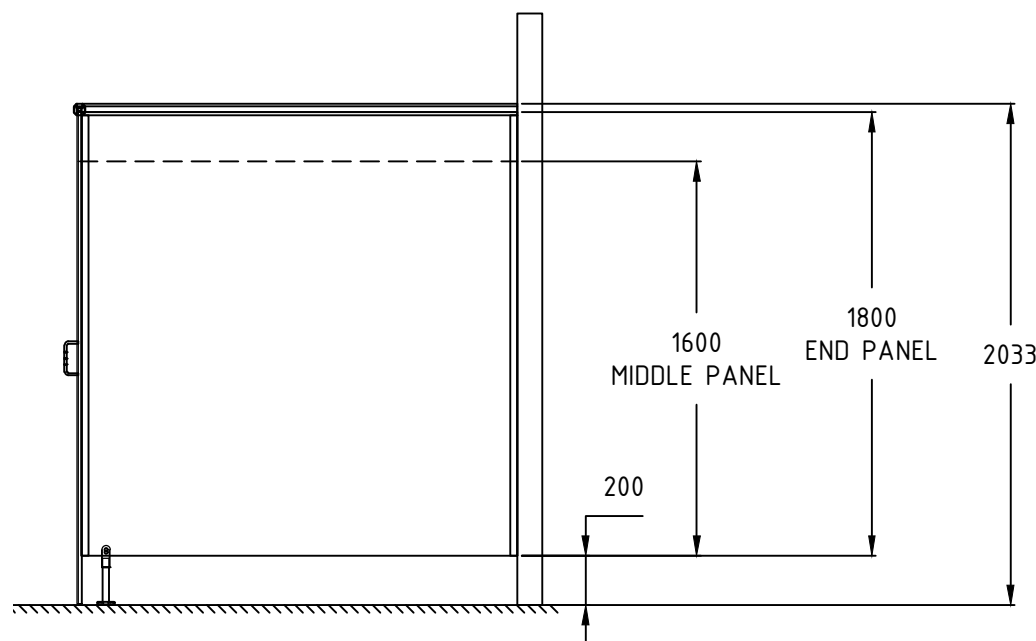


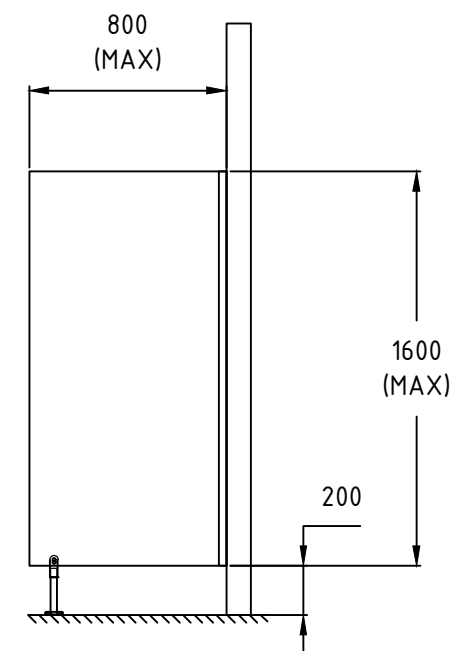
PARTITION LAYOUT



PARTITION FRONT ELEVATION



PARTITION SIDE ELEVATION



URINAL SCREEN SIDE ELEVATION

MATERIAL INFORMATION		
	MATERIAL	FINISH
DOOR	COMPACT LAMINATE - 13MM	SELECTED COLOR
FRONTAL/NIB	COMPACT LAMINATE - 13MM	SELECTED COLOR
SIDE PANELS	COMPACT LAMINATE - 13MM	SELECTED COLOR
MOUNTINGS	ALUMINIUM	NATURAL
FIXINGS	DIECAST ZINC	SATIN CHROME

ISSUE	DATE	DESIGN NOTES	DRAWN	CHECKED
A	18/01/2023	INITIAL ISSUE	RONAK	
REVISION TABLE				

13-17 Naxos Way, Keysborough VIC 3173

REMOVE ALL BURRS, SHARP EDGES AND PROCESSING RESIDUE. DO NOT SCALE - IF IN DOUBT, ASK. ALL DIMENSIONS IN MILLIMETRES.

TOLERANCES UNLESS OTHERWISE SPECIFIED:  
 UP TO 10 ±1  
 OVER 10 UP TO 100 ±5  
 OVER 100 ±10  
 ALL ANGLES ±5°

DESIGNED: RONAK  
 DRAWN: RONAK  
 CHECKED: SS  
 DATE: 18/JAN/2023  
 AREA: N/A  
 MASS: N/A

TITLE: ASI JDMACDONALD  
 13-17 NAXOS WAY KEYSBOROUGH VIC 3173  
 TRANQUILITY - COMPACT LAMINATE FLOOR MOUNTED OVERHEAD BRACED  
 DRG. NO: NTS PTN-TRFM-01  
 SHEET: 01 OF 01