

Introducing a system that dries hands Pronto



The only system that gently & hygienically dries hands in seven seconds



Combining a paper towel dispenser with a hand dryer doesn't exactly seem like rocket science. And the benefits of such a marriage seem obvious: less paper usage and quicker hand drying. So why hasn't anybody thought of it before?

Previously hand dryers were not an acceptable alternative to paper towels in areas that demanded the highest forms of hygiene, such as food preparation and health care.

The main reason for this was the

promotion of the traditional "wipe dry" method that was suited to busy health and hospitality workers. Even this method has its setbacks. Some of these individuals are required to wash their hands up to 70 times a day.

You can imagine how tempting it might be for these hard-working and time-poor individuals to cut corners.

For a number of reasons, these individuals can and often do neglect correct hand drying. That is, until

now. The right combination of a hand

dryer and paper towel eradicates the problems associated with the paper towel only or hand dryer only techniques.

A study conducted by infectious disease expert Dr. Thomas Miller found that this hand drying combination significantly reduced the transfer of bacteria when used to dry hands after washing*.

This new approach was the origin of Pronto, a complete hand drying system where the whole was greater



than the sum of its parts. Pronto is not only one of the fastest hand drying systems in the world today, it is hygienic and is gentler on hands. Pronto achieves a balance between retaining the natural hand texture and the need to reduce bacterial infection in the health and hospitality industries. And let's not forget that Pronto uses less paper than conventional paper towel dispensers, dramatically reducing the cost of consumables and strain on the environment.

The process of using the new Pronto hand drying system is simple. You remove a single sheet of paper towel, place your hands directly behind the paper towel dispenser, breaking an electronic beam and activating the hand dryer. You then begin to dry hands with the paper towel, starting at the fingertips and working back towards the elbow, always keeping the area you are drying under the electric hand dryer. Once the hands are completely dry,

simply dispose of the paper towels. Seven seconds from start to finish, potentially saving up to 27 minutes of hand drying for a health or hospitality worker who may be required to wash their hands up to 70 times a day. Combine this with simple installation and you have a whisper quiet, low cost, time-saving, hygienic, environmentally-conscious, and people-friendly hand drying system. After all, lives will depend on it!

PRONTO

Features:

- Combination of an electric hand dryer and a paper towel dispenser
- A 200 series dirak lock with a hooked cam
- High strength hinge mechanism secures the high impact polycarbonate cover incorporating a 2 pack paper towel capacity

Installation options:

- Electrical connection by cord and plug (as supplied)
- Can be direct wired by an electrician

Specifications:

- Cover: high impact polycarbonate
- Electrical AC, 230-240V 50Hz, 7A
- Motor 65 Watt, 2500 RPM
- Element 1600 Watt protected by thermal cut-out
- Air Velocity 16.2m/s at nozzle outlet
- Noise level 65dB (A)
- Top mounting holes 1700mm from floor
- Gross weight 5.75kg
- Certificate of Suitability No. Q070748
- Electrical Safety Requirement AS/NZS 60335.2.23:2004

Finish:

- Cover/outlet: white etched opaque
- Main body: high gloss white

Paper towel suppliers for Pronto:

Kimberley Clarke
SCA

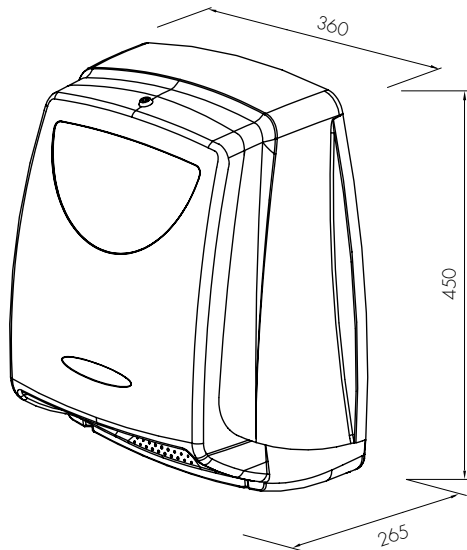
Recommended installation height:

- Men's washroom 1200mm
- Women's washroom 1150mm
- Children's washroom ages 11-15 1110mm
- Children's washroom ages 5-10 850mm
- Disabled person's washroom 1000mm

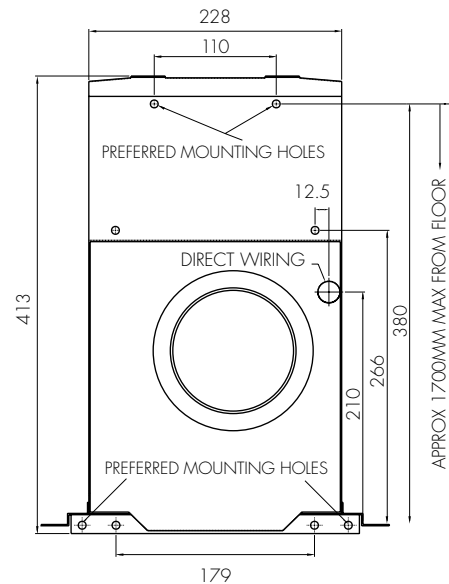
Warranty:

JD MacDonald Pronto hand dryer is guaranteed against defective materials and faulty workmanship for 12 months from date of purchase, subject to being installed and maintained in accordance with the Installation and Operating Instructions supplied with the hand dryer.

Front/side view



Template view



jdmacdonald.com.au

Freecall 1800 023 441 or phone your nearest JD MacDonald Sales Office

Adelaide (08) 8168 2222 Brisbane (07) 3363 6400 Melbourne (03) 9271 6400 Perth (08) 9271 8455 Sydney (02) 9756 1622

A Division of MacDonald Johnston Pty Ltd 65-73 Nantilla Road, Clayton North, Victoria 3168 Tel (03) 9271 6400 Fax (03) 9271 6485

JD MacDonald reserves the right to, and does from time to time, make changes and improvements in design and dimensions.

The photographs & line drawings of the products in this catalogue are representational only. All dimensions are in millimetres.

